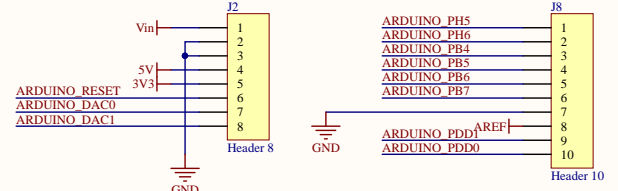
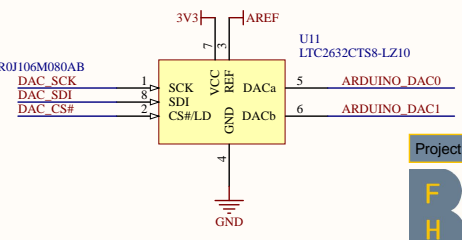
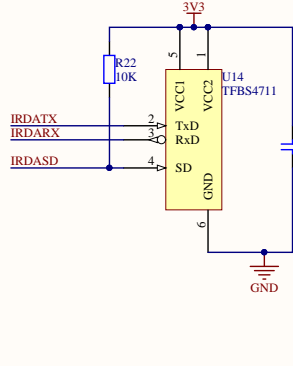
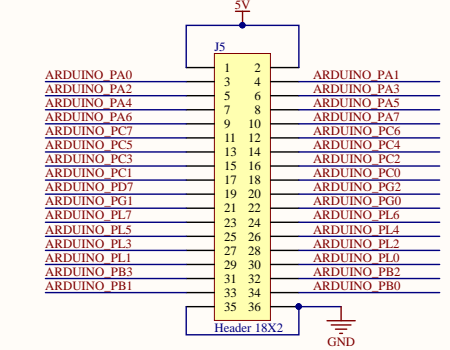
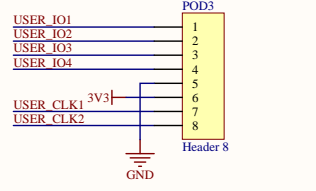
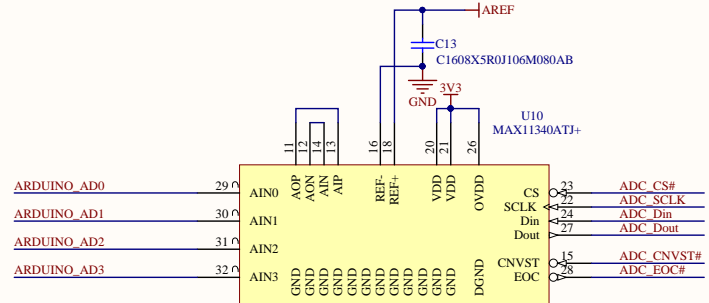
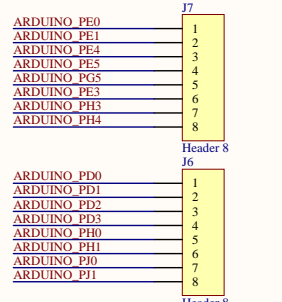
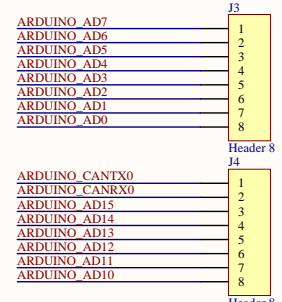


EP4CE30F23C8N

EP4CE30F23C8N



Project Name: gecko4_education.PrijPcb

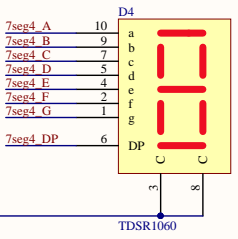
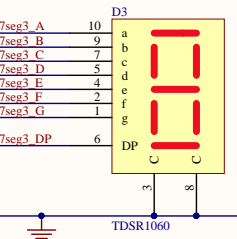
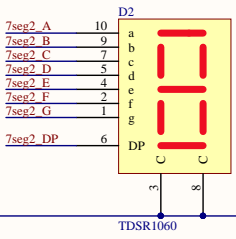
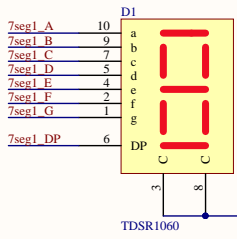
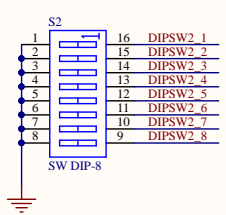
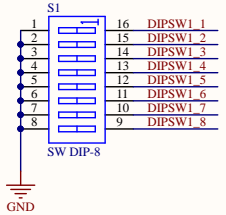
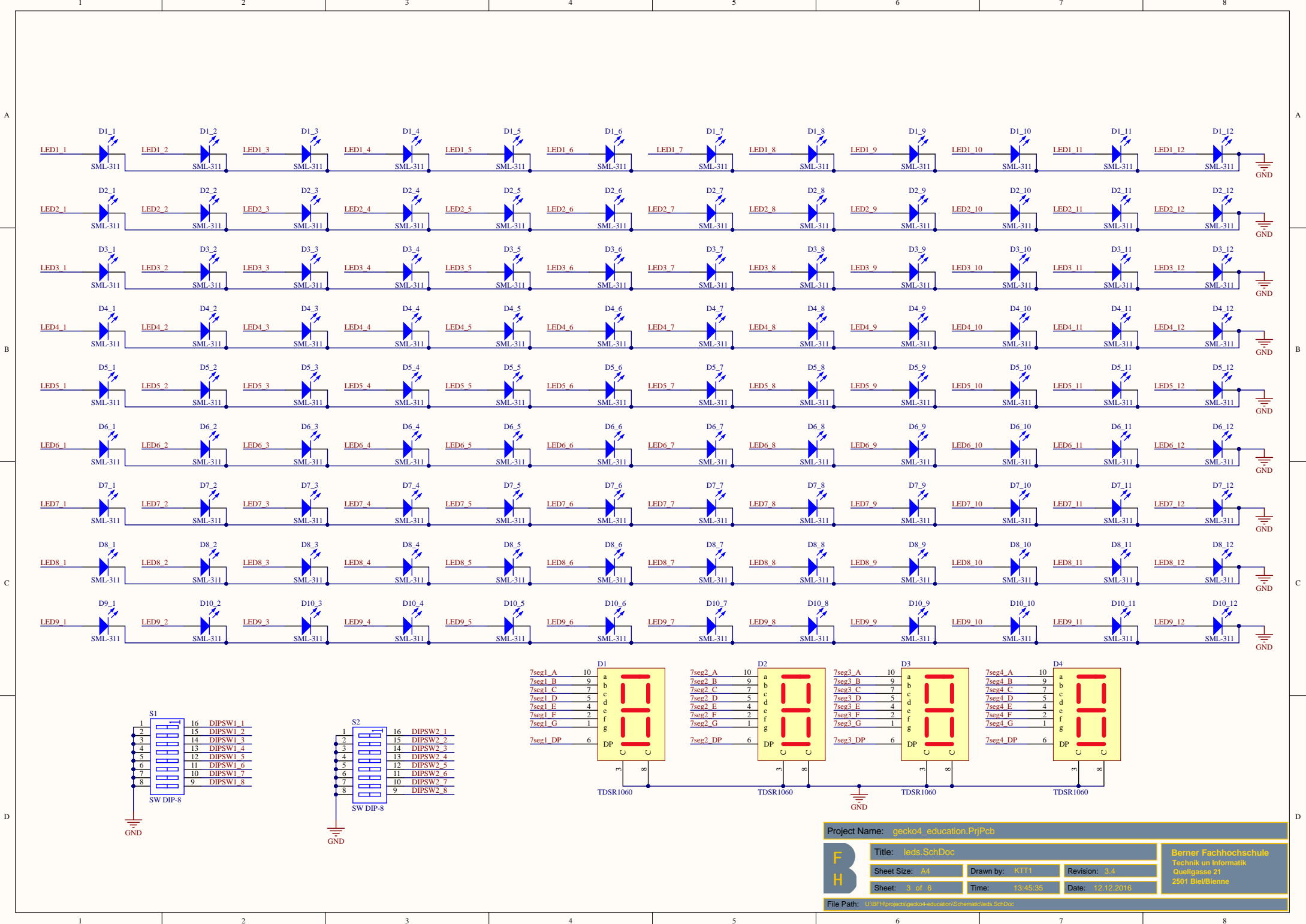
F H Title: arduino_io.SchDoc

Sheet Size: A4 Drawn by: KTT1 Revision: 0.4

Sheet: 2 of 6 Time: 13:45:34 Date: 12.12.2016

File Path: U:\BFH\projects\gecko4-education\Schematic\arduino_io.SchDoc

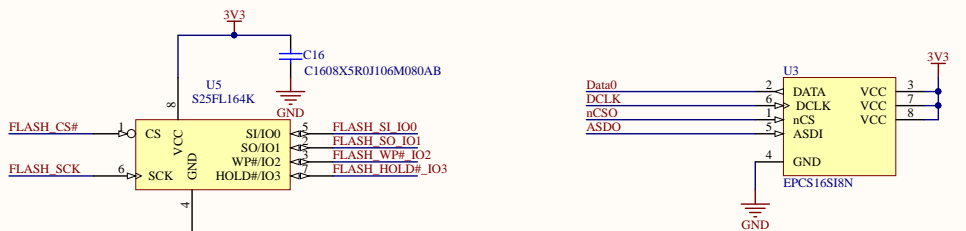
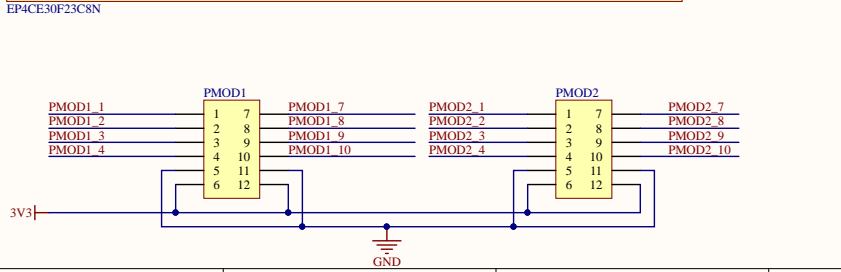
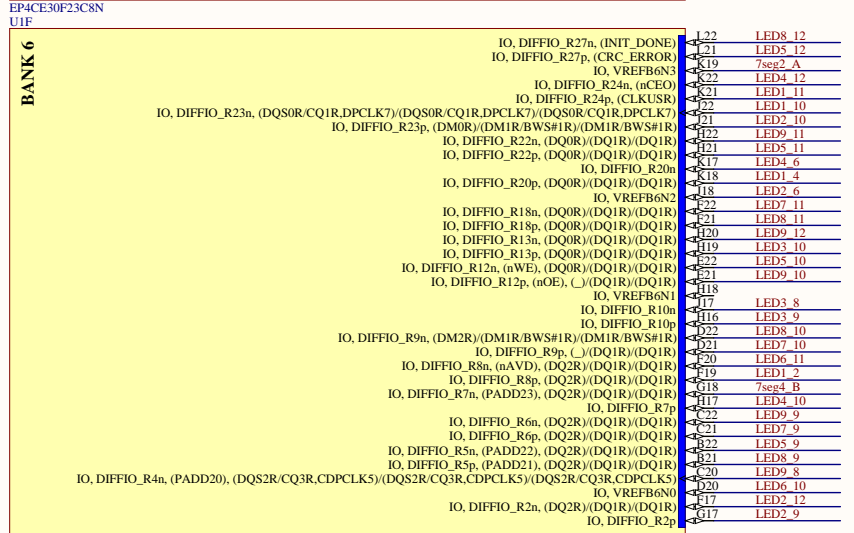
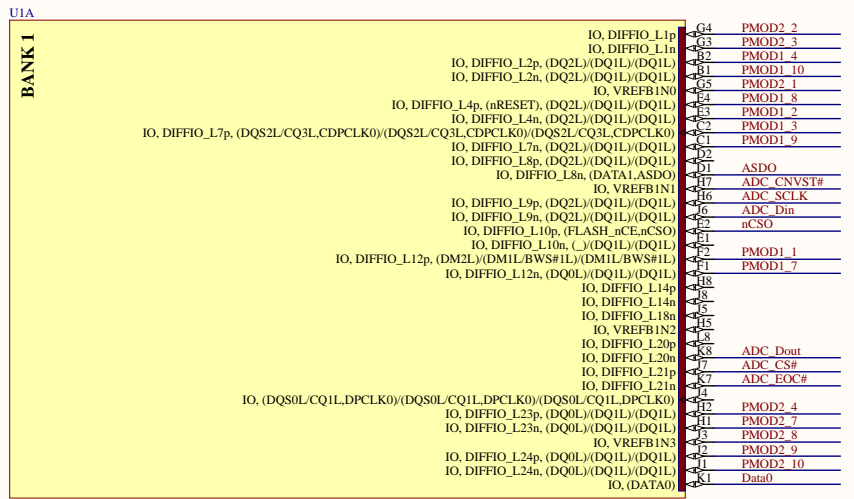
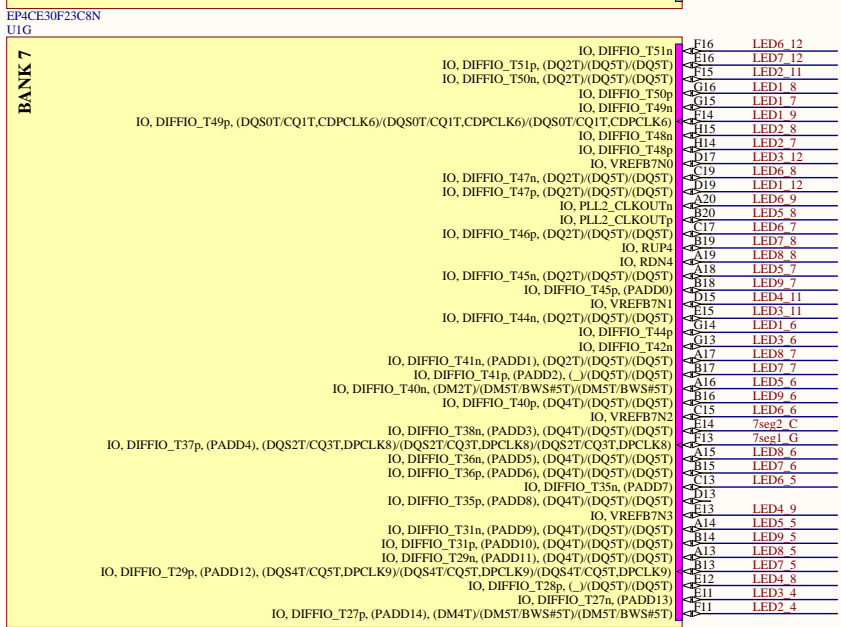
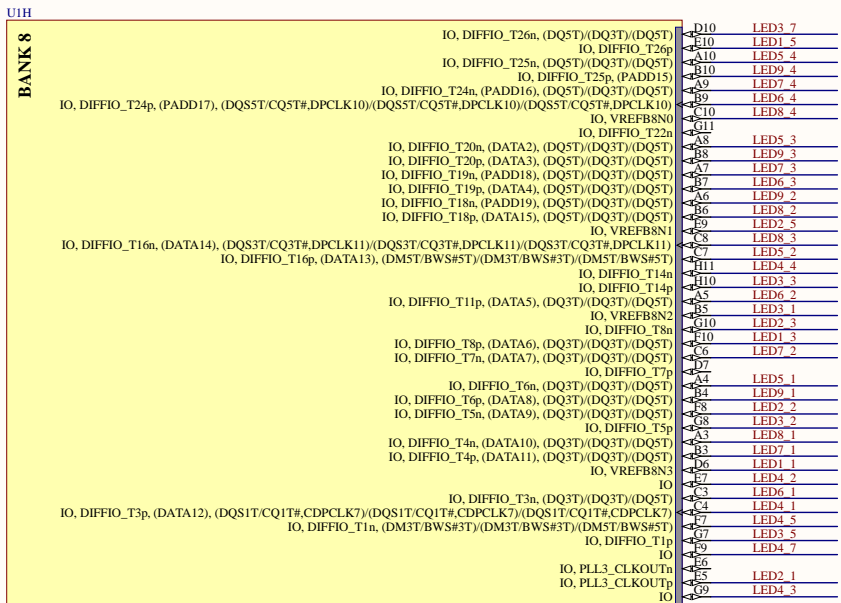
Berner Fachhochschule
 Technik und Informatik
 Quellgasse 21
 2501 Biel/Bienne



Project Name: gecko4_education.PriPcb

FH	Title: leds.SchDoc	Berner Fachhochschule Technik und Informatik Quellgasse 21 2501 Biel/Bienne		
	Sheet Size: A4		Drawn by: KTT1	Revision: 0.4
	Sheet: 3 of 6		Time: 13:45:35	Date: 12.12.2016

File Path: U:\BFH\projects\gecko4-education\Schematic\leds_SchDoc



Project Name: gecko4_education.PrijPcb

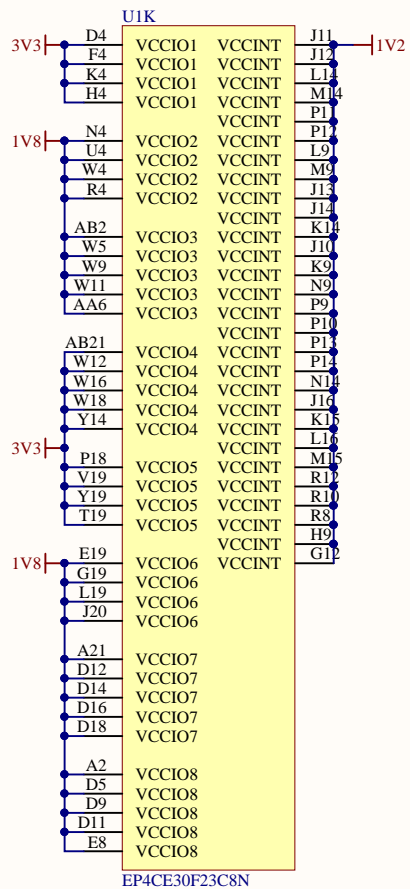
Title: flash.SchDoc

Sheet Size: A4 | Drawn by: KTT1 | Revision: 0.4

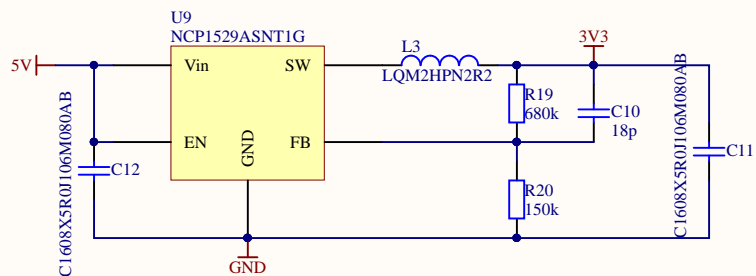
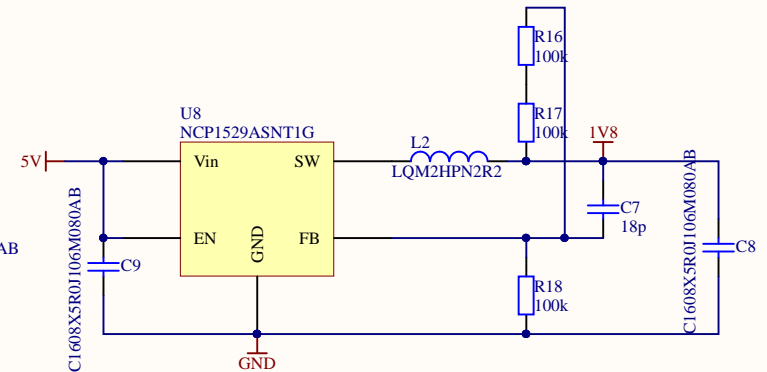
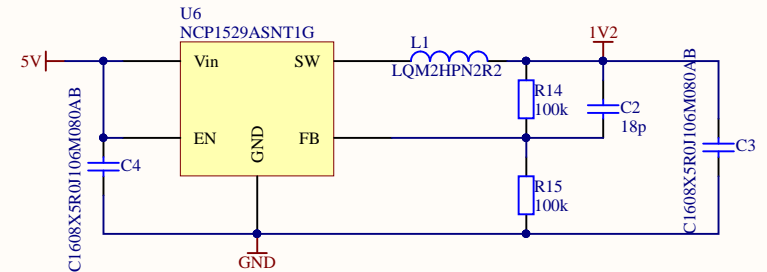
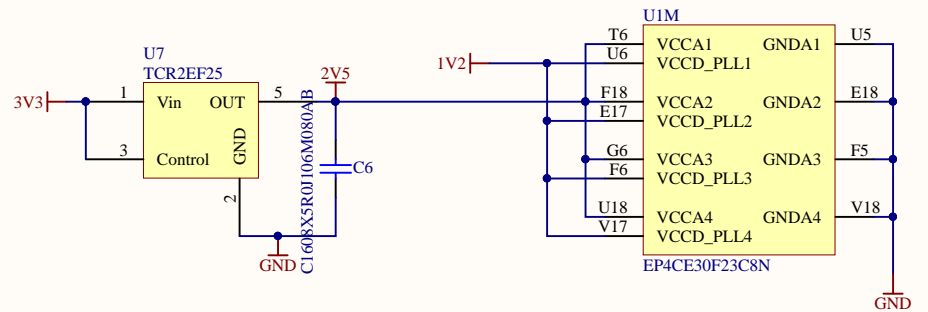
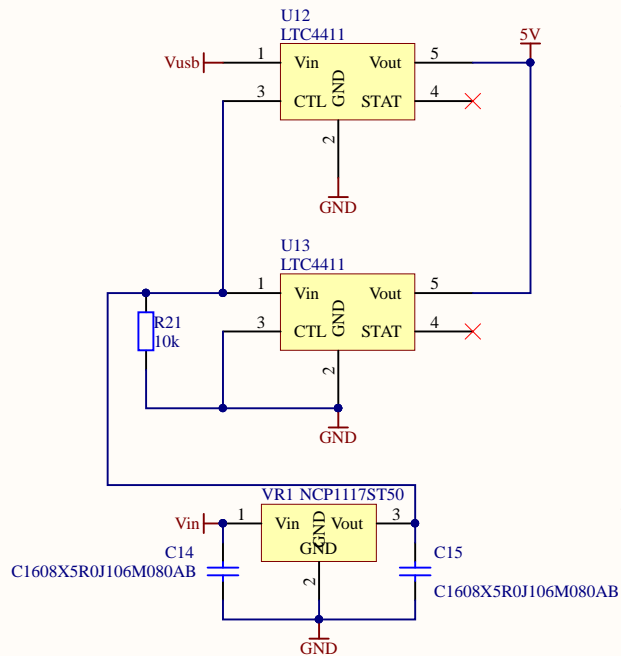
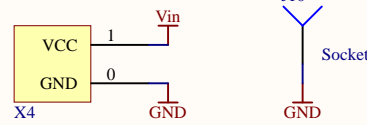
Sheet: 4 of 6 | Time: 13:45:35 | Date: 12.12.2016

File Path: U:\BFH\projects\gecko4_education\Schematic\flash.SchDoc

Berner Fachhochschule
Technik und Informatik
Quellgasse 21
2501 Biel/Bienne



Logo1
HuCE Logo



Project Name: gecko4_education.PrjPcb

FH

Title: powering.SchDoc

Sheet Size: A4

Drawn by: KTT1

Revision: 3.4

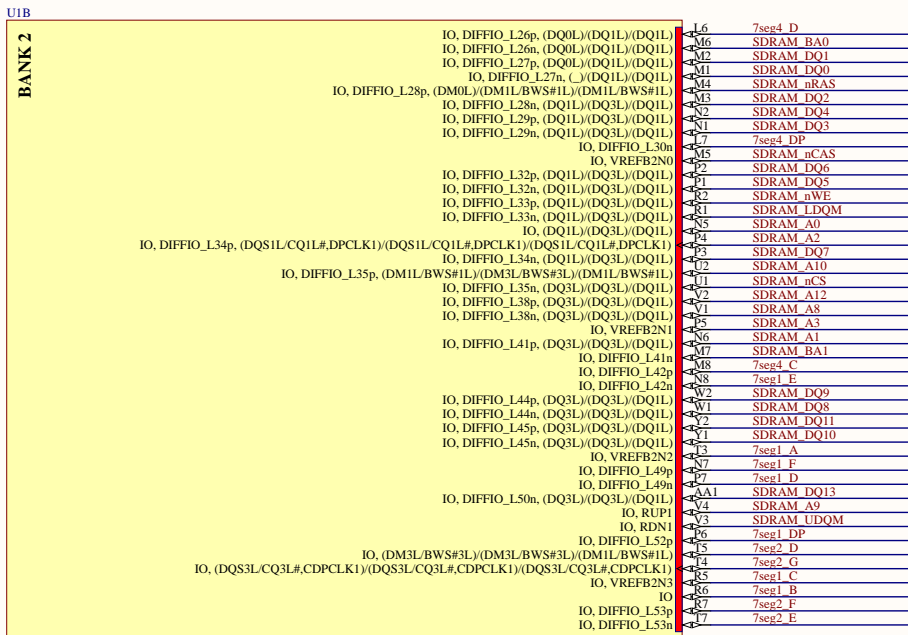
Sheet: 5 of 6

Time: 13:45:36

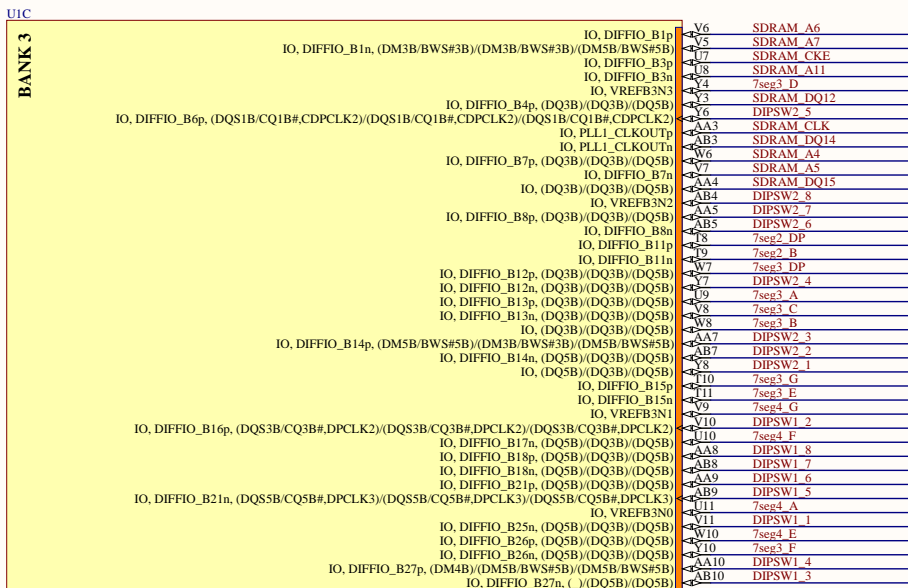
Date: 12.12.2016

Berner Fachhochschule
Technik un Informatik
Quellgasse 21
2501 Biel/Bienne

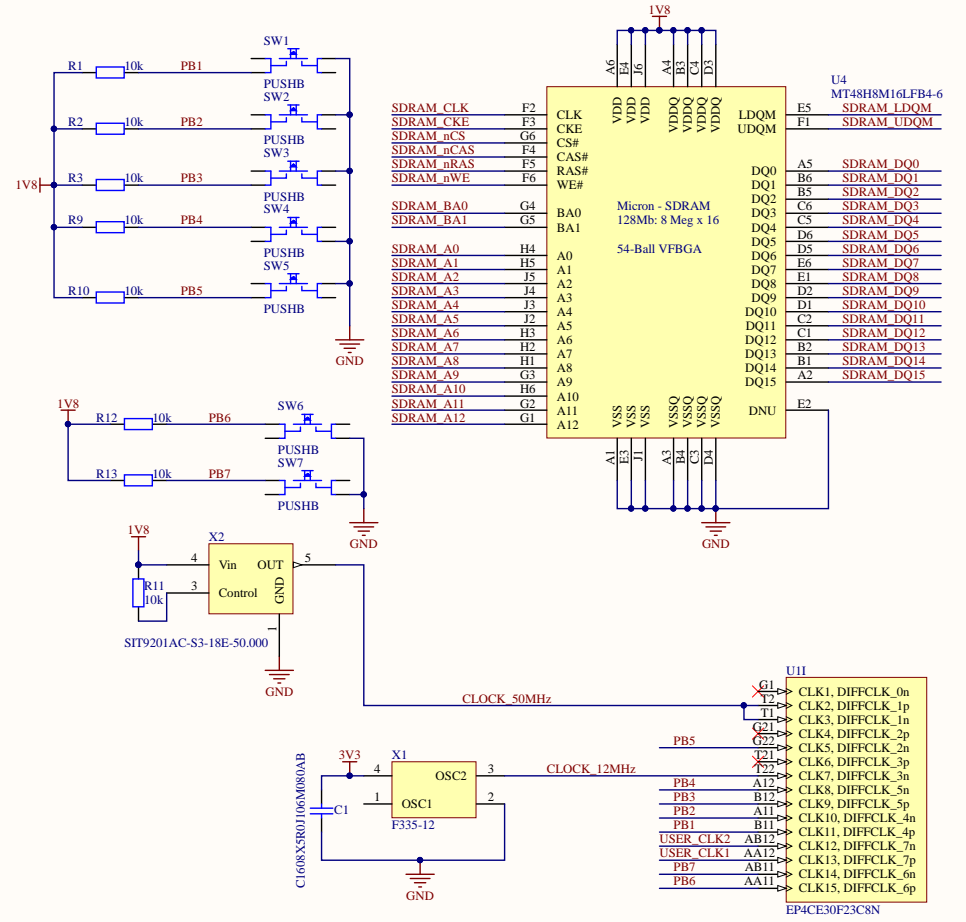
File Path: U:\BFH\projects\gecko4-education\Schematic\powering.SchDoc



EP4CE30F23C8N



EP4CE30F23C8N



Project Name: **gecko4_education.PrijPcb**

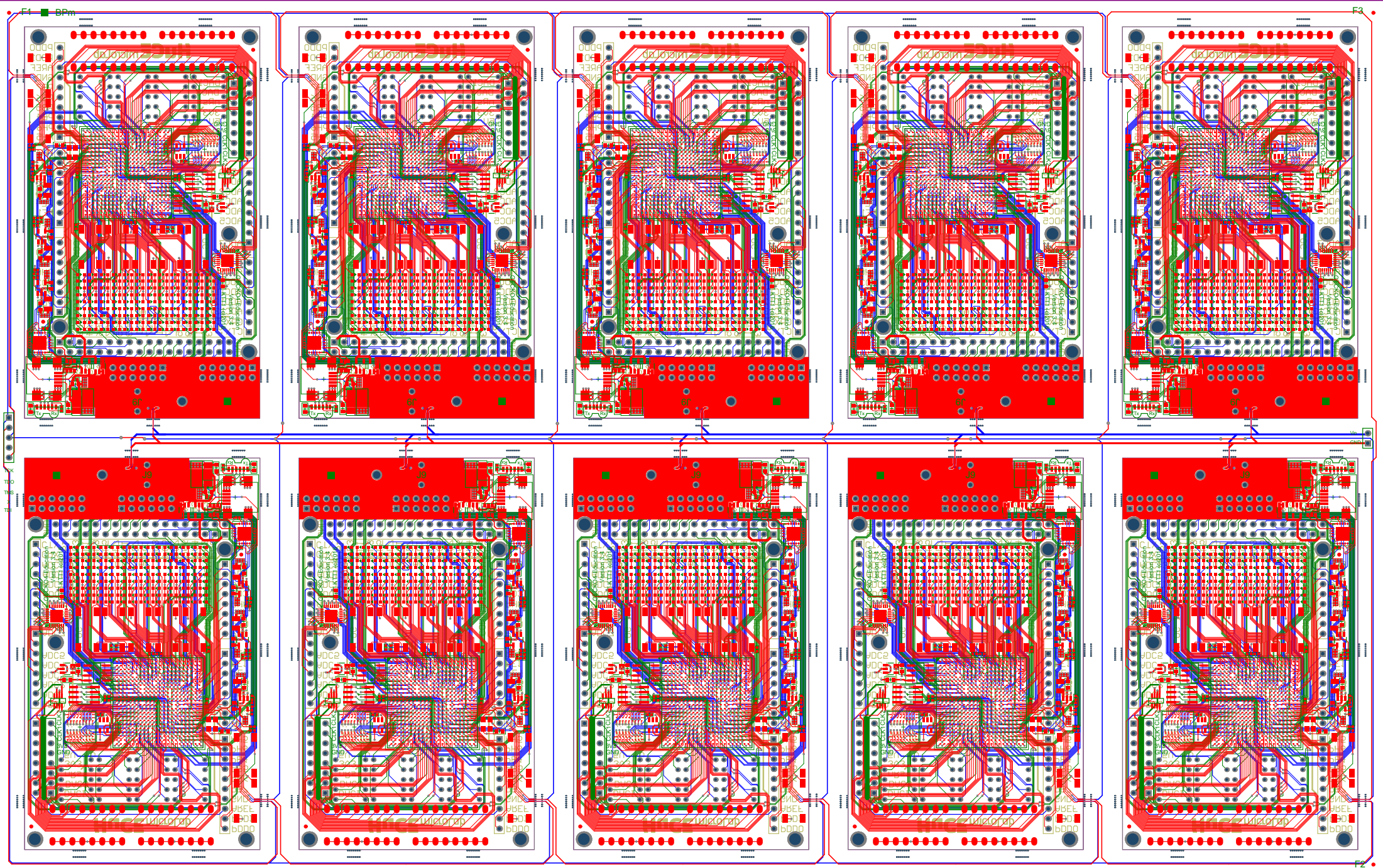
Title: **sdrnm.SchDoc**

Sheet Size: **A4** | Drawn by: **KTT1** | Revision: **0.4**

Sheet: **6 of 6** | Time: **13:45:36** | Date: **12.12.2016**

File Path: **U:\BFH\projects\gecko4_education\Schematic\sdrnm.SchDoc**

Berner Fachhochschule
Technik und Informatik
Quellgasse 21
2501 Biel/Bienne



F1 8Pm

F2

F2

Bill of Materials

<Parameter Title not found>

Source Data From: gecko4_education.PrjPcb
 Project: gecko4_education.PrjPcb
 Variant: None

Creation Date: 12.12.2016 13:46:08
 Print Date: 42716 42716,57381

#Column Name	Comment	#Column Name E	Designator	#Column Name Error:Description	Quantity
	C1608XSR0J106		C1, C3, C4, C6, C8, C9, C11, C12, C13,		13
	M080AB		C14, C15, C16, C17		
	18p		C2, C7, C10		3
	100n		C5		1
	TDSR1060		D1, D2, D3, D4		4
	SML-311		D1_1, D1_2, D1_3, D1_4, D1_5, D1_6,		108
			D1_7, D1_8, D1_9, D1_10, D1_11, D1_12,		
			D2_1, D2_2, D2_3, D2_4, D2_5, D2_6,		
			D2_7, D2_8, D2_9, D2_10, D2_11, D2_12,		
			D3_1, D3_2, D3_3, D3_4, D3_5, D3_6,		
			D3_7, D3_8, D3_9, D3_10, D3_11, D3_12,		
			D4_1, D4_2, D4_3, D4_4, D4_5,		
	Fiducials		Fid1, Fid2		2
	USB_Socket		J1		1
	Header 8		J2, J3, J4, J6, J7, POD3		6
	Header 18X2		J5		1
	Header 10		J8		1
	Jumper		J9		1
	Connector				
	Socket		J10		1
	Inductor		L1, L2, L3		3
	-		Logo1		1
	Header 6X2A		PMOD1, PMOD2		2
	10k		R1, R2, R3, R4, R6, R7, R8, R9, R10,		14
			R11, R12, R13, R21, R22		
	100k		R14, R15, R16, R17, R18		5
	680k		R19		1
	150k		R20		1
	SW DIP-8		S1, S2		2
	PUSHB		SW1, SW2, SW3, SW4, SW5, SW6,		7
			SW7		
	EP4CE30F23C8		U1		1
	N				
	PIC18F14K50		U2		1
	EPCS16S18N		U3		1
	MT48H8M16LF		U4		1
	B4-6				
	S25FL164K		U5		1
	NCP1529ASNT1		U6, U8, U9		3
	G				
	TCR2EF25		U7		1
	MAX11340ATJ+		U10		1
	LTC2632CTS8-		U11		1
	LZ10				
	LTC4411		U12, U13		2
	TFBS4711		U14		1
	WE-TV5		U15		1
	NCP1117ST50		VR1		1
	F335-12		X1		1
	SIT9201AC-S3-		X2		1
	18E-50.000				
	JTAT bord to		X3		1
	board connector				
	Power interface		X4		1
	for bord to board				

198

Approved	Notes