

UIE

BANK 5

IO, DIFFIO_R35p, (DM3R/BWS#3R)/(DM3R/BWS#3R)/(DM1R/BWS#1R)	AA21	ARDUINO PC1
IO, RUP3	A14	ARDUINO PA1
IO, RDN3	A17	ARDUINO PA3
IO, DIFFIO_R34n, (DQ53R/CQ3R#CDPCLK4)/(DQ53R/CQ3R#CDPCLK4)/(DQ53R/CQ3R#CDPCLK4)	A18	ARDUINO PA5
IO, DIFFIO_R34p	W20	ARDUINO PB5
IO, DIFFIO_R33p	A19	ARDUINO PL7
IO, DIFFIO_R33n, (DQ3R)/(DQ3R)/(DQ1R)	A21	
IO, DIFFIO_R33p	A22	ARDUINO PDD0
IO, DIFFIO_R32n, (DQ3R)/(DQ3R)/(DQ1R)	A19	ARDUINO PD7
IO, DIFFIO_R32p	A21	ARDUINO PD7
IO, DIFFIO_R31n, (DQ3R)/(DQ3R)/(DQ1R)	A14	ARDUINO PC5
IO, DIFFIO_R31p, (DQ3R)/(DQ3R)/(DQ1R)	A22	ARDUINO PH6
IO, DIFFIO_R30n	A21	ARDUINO PB4
IO, DIFFIO_R30p	A15	ARDUINO PC3
IO, VREFB5N1	A16	ARDUINO PA0
IO, DIFFIO_R29n	A17	ARDUINO PC6
IO, DIFFIO_R29p	M15	ARDUINO PC7
IO, DIFFIO_R28n, (DQ3R)/(DQ3R)/(DQ1R)	A17	ARDUINO PA2
IO, DIFFIO_R28p	A22	ARDUINO PB7
IO, (DQ3R)/(DQ3R)/(DQ1R)	A21	ARDUINO PB6
IO, DIFFIO_R27n, (DQ3R)/(DQ3R)/(DQ1R)	A20	ARDUINO PH4
IO, DIFFIO_R27p	A22	ARDUINO PH5
IO, DIFFIO_R26n, (DM1R/BWS#1R)/(DM3R/BWS#3R)/(DM1R/BWS#1R)	A21	ARDUINO PDD1
IO, DIFFIO_R26p	A18	ARDUINO PA4
IO, DIFFIO_R25n, (DQ1R)/(DQ3R)/(DQ1R)	A19	ARDUINO PA6
IO, DIFFIO_R25p	A16	ARDUINO PE4
IO, VREFB5N0	A22	ARDUINO PE3
IO, DIFFIO_R24n, (DQ1R)/(DQ3R)/(DQ1R)	A21	ARDUINO PH3
IO, DIFFIO_R24p	A20	ARDUINO PG5
IO, DIFFIO_R23n, (DQ1R)/(DQ3R)/(DQ1R)	A22	ARDUINO PJ0
IO, DIFFIO_R23p	A21	ARDUINO PJ1
IO, DIFFIO_R22n, (DQ1R)/(DQ3R)/(DQ1R)	A19	ARDUINO PH1
IO, DIFFIO_R22p	A17	ARDUINO PE5
IO, DIFFIO_R21n, (DEV_OE)	A18	ARDUINO PD3
IO, DIFFIO_R21p, (DEV_CLRn)	A22	ARDUINO PH0
IO, DIFFIO_R20n, (DQ1R)/(DQ3R)/(DQ1R)	A21	ARDUINO PD0
IO, DIFFIO_R20p	A21	ARDUINO PD1
IO, DIFFIO_R19n, (DQ1R)/(DQ3R)/(DQ1R)	A20	ARDUINO PD2
IO, DIFFIO_R19p	M19	ARDUINO PE1
IO	M16	ARDUINO PE0
IO		

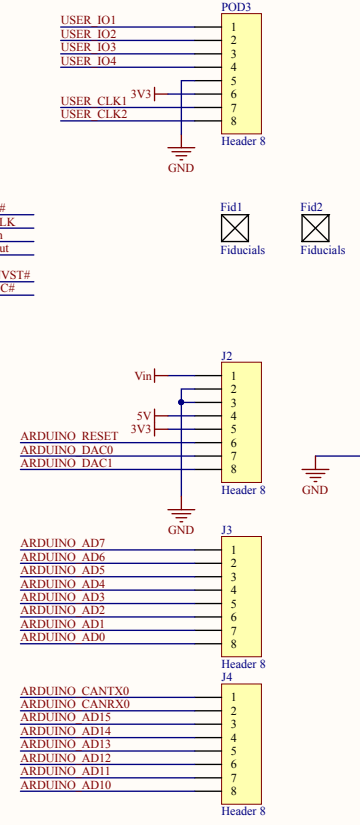
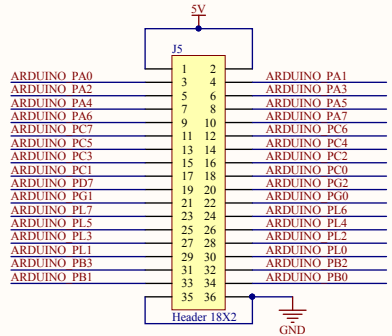
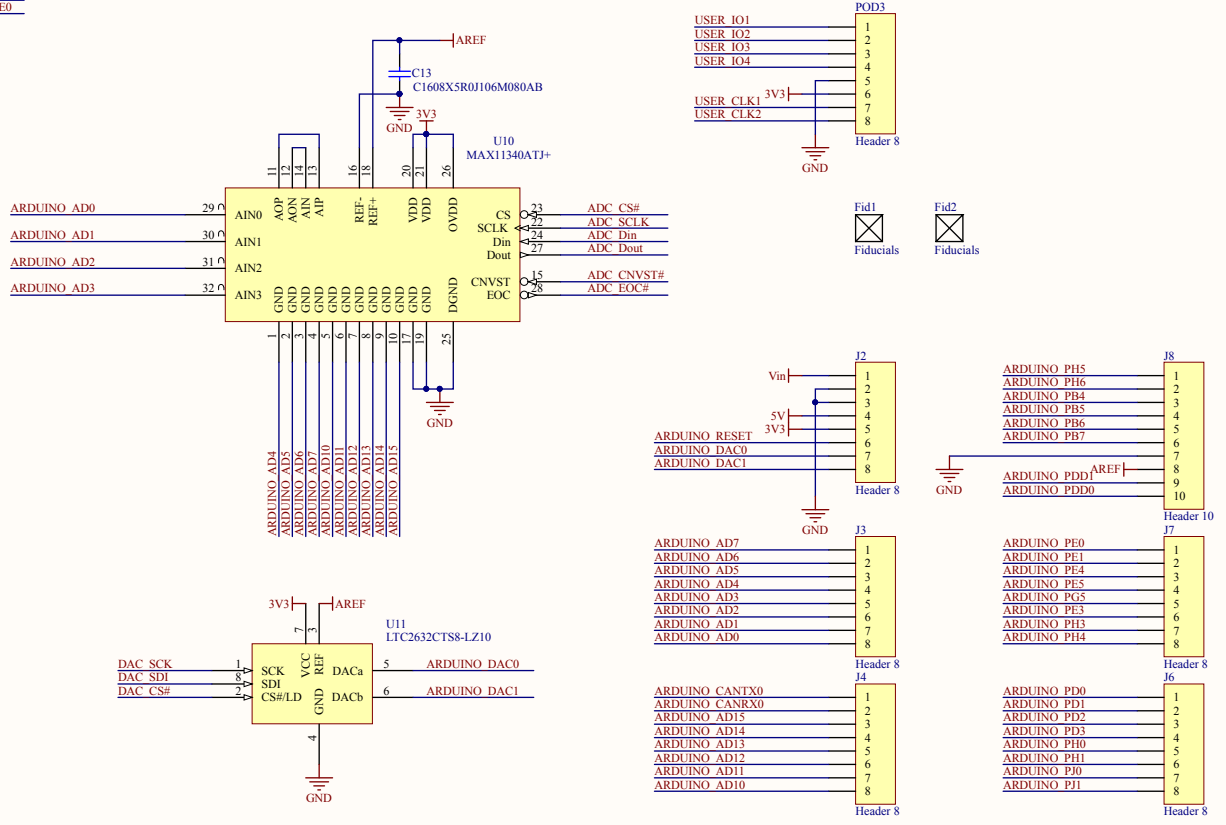
EP4CE15F23C7

UID

BANK 4

IO, DIFFIO_B19p, (DQ4B)/(DQ5B)/(DQ5B)	AA13	DAC SCK
IO, DIFFIO_B19n, (DQ4B)/(DQ5B)/(DQ5B)	AB13	DAC CS#
IO, DIFFIO_B20p, (DQ4B)/(DQ5B)/(DQ5B)	AA14	ARDUINO CANRX0
IO, DIFFIO_B20n, (DQ4B)/(DQ5B)/(DQ5B)	AB14	ARDUINO CANTX0
IO	V12	DAC SDI
IO, DIFFIO_B21p, (DQ4B)/(DQ5B)/(DQ5B)	W13	FLASH SI IO0
IO, DIFFIO_B21n, (DQ4B)/(DQ5B)/(DQ5B)	W13	FLASH SI IO0
IO, DIFFIO_B22p, (DQ4B)/(DQ5B)/(DQ5B)	AA15	USER IO3
IO, DIFFIO_B22n, (DQ4B)/(DQ5B)/(DQ5B)	AB15	USER IO4
IO, DIFFIO_B23p, (DQ4B)/(DQ5B)/(DQ5B)	U12	ARDUINO PB1
IO, DIFFIO_B23n, (DQ4B)/(DQ5B)/(DQ5B)	T12	ARDUINO PB0
IO, DIFFIO_B24p, (DM2B)/(DM5B/BWS#5B)/(DM5B/BWS#5B)	AA16	USER IO1
IO, DIFFIO_B24n, (DQ2B)/(DQ5B)/(DQ5B)	AB16	USER IO2
IO, DIFFIO_B25p	AA17	ARDUINO PB3
IO, DIFFIO_B25n	AB17	ARDUINO PB2
IO	R13	
IO	V13	FLASH SCK
IO, (DQ52B/CQ3B,DPCLK5)/(DQ52B/CQ3B,DPCLK5)/(DQ52B/CQ3B,DPCLK5)	W14	FLASH WP# IO2
IO, VREFB4N1	U13	FLASH HOLD# IO3
IO, DIFFIO_B26n, (DQ2B)/(DQ5B)/(DQ5B)	V14	FLASH SO IO1
IO, DIFFIO_B27p, (DQ2B)/(DQ5B)/(DQ5B)	V15	ARDUINO PG0
IO, DIFFIO_B27n, (DQ2B)/(DQ5B)/(DQ5B)	W15	ARDUINO PL4
IO, DIFFIO_B28p, (DQ2B)/(DQ5B)/(DQ5B)	T14	
IO, DIFFIO_B28n, (DQ2B)/(DQ5B)/(DQ5B)	T15	ARDUINO PA7
IO, (DQ2B)/(DQ5B)/(DQ5B)	AB18	ARDUINO PL0
IO, RUP2	AA19	ARDUINO PL3
IO, RDN2	AB19	ARDUINO PL2
IO, DIFFIO_B29p, (DQ2B)/(DQ5B)/(DQ5B)	W17	ARDUINO PL6
IO, DIFFIO_B29n, (DQ80B/CQ1B,DPCLK3)/(DQ80B/CQ1B,DPCLK3)/(DQ80B/CQ1B,DPCLK3)	V17	ARDUINO PL5
IO, VREFB4N0	V16	ARDUINO PG1
IO, DIFFIO_B30p, (DQ2B)/(DQ5B)/(DQ5B)	AA20	
IO, DIFFIO_B30n, (DQ2B)/(DQ5B)/(DQ5B)	AB20	
IO, PLL4_CLKOUTp	T16	ARDUINO PA5
IO, PLL4_CLKOUTn	R16	ARDUINO PC4
IO, DIFFIO_B31p	U15	ARDUINO PG2
IO, DIFFIO_B31n	U14	FLASH CS#
IO, DIFFIO_B32p	R14	ARDUINO PC0
IO, DIFFIO_B32n	R15	ARDUINO PC2

EP4CE15F23C7



UIH		BANK 8	
IO, DIFFIO_T15n, (DQ5T)(DQ3T)(DQ5T)	H11	LED4	4
IO, DIFFIO_T15p, (DQ5T)(DQ3T)(DQ5T)	H10	LED3	7
IO, DIFFIO_T15p, (DQ5T)(DQ3T)(DQ5T)	H10	LED1	5
IO, DIFFIO_T15p, (DQ5T)(DQ3T)(DQ5T)	H10	LED5	4
IO, DIFFIO_T14p, (PADD15)	H10	LED9	4
IO, DIFFIO_T13n, (PADD16), (DQ5T)(DQ3T)(DQ5T)	H9	LED7	4
IO, DIFFIO_T13p, (PADD17), (DQ5S1/CQ5T#,DPCLK10)(DQ5S1/CQ5T#,DPCLK10)	H9	LED6	4
IO, DIFFIO_T13p, (PADD17), (DQ5S1/CQ5T#,DPCLK10)(DQ5S1/CQ5T#,DPCLK10)	H9	LED8	4
IO, DIFFIO_T12n, (DATA2), (DQ5T)(DQ3T)(DQ5T)	H8	LED5	3
IO, DIFFIO_T12p, (DATA3), (DQ5T)(DQ3T)(DQ5T)	H8	LED9	3
IO, DIFFIO_T11n, (PADD18), (DQ5T)(DQ3T)(DQ5T)	H7	LED7	3
IO, DIFFIO_T11p, (DATA4), (DQ5T)(DQ3T)(DQ5T)	H7	LED6	3
IO, DIFFIO_T10n, (PADD19), (DQ5T)(DQ3T)(DQ5T)	H6	LED9	2
IO, DIFFIO_T10p, (DATA15), (DQ5T)(DQ3T)(DQ5T)	H6	LED8	2
IO, DIFFIO_T10p, (DATA15), (DQ5T)(DQ3T)(DQ5T)	H6	LED2	5
IO, DIFFIO_T9n, (DATA14), (DQ5S1/CQ3T#,DPCLK11)(DQ5S1/CQ3T#,DPCLK11)	H8	LED8	3
IO, DIFFIO_T9p, (DATA13), (DM5T/BWS#5T)(DM5T/BWS#3T)(DM5T/BWS#5T)	H7	LED5	2
IO, DIFFIO_T8n	H10	LED2	3
IO, DIFFIO_T8p	H10	LED4	3
IO, DIFFIO_T7n	H10	LED3	3
IO, DIFFIO_T7p	H9	LED1	2
IO, (DATA5), (DQ3T)(DQ5T)	H5	LED6	2
IO, (DATA5), (DQ3T)(DQ5T)	H5	LED3	1
IO, (DATA5), (DQ3T)(DQ5T)	H5	LED4	7
IO, DIFFIO_T6p, (DATA6), (DQ3T)(DQ3T)(DQ5T)	H10	LED1	3
IO, (DATA7), (DQ3T)(DQ3T)(DQ5T)	H4	LED7	2
IO, DIFFIO_T5n, (DQ3T)(DQ3T)(DQ5T)	H4	LED5	1
IO, DIFFIO_T5p, (DATA8), (DQ3T)(DQ3T)(DQ5T)	H4	LED9	1
IO, DIFFIO_T4n, (DATA9), (DQ3T)(DQ3T)(DQ5T)	H8	LED2	2
IO, DIFFIO_T4p	H8	LED3	2
IO, DIFFIO_T3n, (DATA10), (DQ3T)(DQ3T)(DQ5T)	H3	LED8	1
IO, DIFFIO_T3p, (DATA11), (DQ3T)(DQ3T)(DQ5T)	H6	LED7	1
IO, VREFB8N1	H7	LED4	2
IO, DIFFIO_T2n, (DQ3T)(DQ3T)(DQ5T)	H3	LED6	1
IO, DIFFIO_T2p, (DATA12), (DQ5T/CQ1T#,CDPCLK7)(DQ5T/CQ1T#,CDPCLK7)	H4	LED4	1
IO, DIFFIO_T1n, (DM3T/BWS#3T)(DM3T/BWS#3T)(DM5T/BWS#5T)	H7	LED4	5
IO, DIFFIO_T1p	H6	LED0	1
IO, PLL3_CLKOUTn	H6	LED2	1
IO, PLL3_CLKOUTp	H5	LED2	1

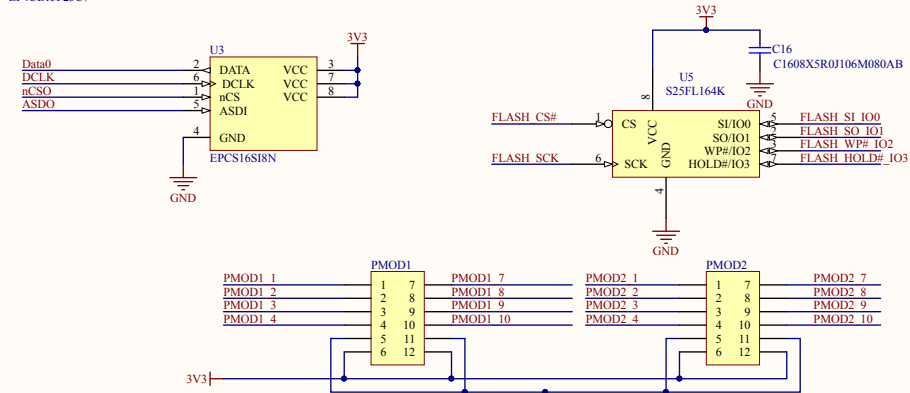
EP4CE15F23C7

UIH		BANK 7	
IO, DIFFIO_T32n	F16	LED6	12
IO, DIFFIO_T32p, (DQ2T)(DQ5T)(DQ5T)	F16	LED7	12
IO, DIFFIO_T31n, (DQ2T)(DQ5T)(DQ5T)	F15	LED2	11
IO, DIFFIO_T31p	F16	LED1	8
IO, DIFFIO_T30n	F15	LED1	7
IO, DIFFIO_T30p, (DQ50T/CQ1T,CDPCLK6)(DQ50T/CQ1T,CDPCLK6)	F14	LED1	9
IO, VREFB7N0	F14	LED1	6
IO, DIFFIO_T29n, (DQ2T)(DQ5T)(DQ5T)	F19	LED6	8
IO, DIFFIO_T29p, (DQ2T)(DQ5T)(DQ5T)	F19	LED1	12
IO, PLL2_CLKOUTn	F20	LED6	9
IO, PLL2_CLKOUTp	F20	LED5	8
IO, (DQ2T)(DQ5T)(DQ5T)	F17	LED6	7
IO, DIFFIO_T28n	F14	LED2	7
IO, DIFFIO_T28p	F14	LED2	7
IO, RLP4	F19	LED7	8
IO, RDN4	F19	LED8	8
IO, DIFFIO_T27n, (DQ2T)(DQ5T)(DQ5T)	F18	LED5	7
IO, DIFFIO_T27p, (PADD0)	F18	LED9	7
IO, DIFFIO_T26n	F15	LED4	11
IO, DIFFIO_T26p, (DQ2T)(DQ5T)(DQ5T)	F13	LED3	11
IO, DIFFIO_T25n, (PADD1), (DQ2T)(DQ5T)(DQ5T)	F13	LED3	6
IO, DIFFIO_T25p, (PADD2), (DQ5T)(DQ5T)(DQ5T)	F17	LED7	7
IO, DIFFIO_T24n, (DM2T/BWS#5T)(DM5T/BWS#5T)	F16	LED5	6
IO, DIFFIO_T24p, (DQ4T)(DQ5T)(DQ5T)	F16	LED9	6
IO, VREFB7N1	F14	LED6	6
IO, DIFFIO_T23n, (PADD3), (DQ4T)(DQ5T)(DQ5T)	F12	LED3	8
IO, DIFFIO_T23p	F13	LED2	6
IO, DIFFIO_T22p	F12	LED4	6
IO, DIFFIO_T21n	F12	LED1	4
IO, DIFFIO_T21p, (PADD4), (DQ52T/CQ3T,DPCLK8)(DQ52T/CQ3T,DPCLK8)	F15	LED8	6
IO, DIFFIO_T20n, (PADD5), (DQ4T)(DQ5T)(DQ5T)	F15	LED7	6
IO, DIFFIO_T20p, (PADD6), (DQ4T)(DQ5T)(DQ5T)	F13	LED6	5
IO, DIFFIO_T19n, (PADD7)	F13	LED6	5
IO, DIFFIO_T19p, (PADD8), (DQ4T)(DQ5T)(DQ5T)	F13	LED4	9
IO, DIFFIO_T18n, (PADD9), (DQ4T)(DQ5T)(DQ5T)	F14	LED5	5
IO, DIFFIO_T18p, (PADD10), (DQ4T)(DQ5T)(DQ5T)	F13	LED8	5
IO, DIFFIO_T17n, (PADD11), (DQ4T)(DQ5T)(DQ5T)	F13	LED7	5
IO, DIFFIO_T17p, (PADD12), (DQ54T/CQ5T,DPCLK9)(DQ54T/CQ5T,DPCLK9)	F13	LED7	5
IO, (DQ5T)(DQ5T)(DQ5T)	F12	LED4	8
IO, DIFFIO_T16n, (PADD13)	F11	LED3	4
IO, DIFFIO_T16p, (PADD14), (DM4T)(DM5T/BWS#5T)(DM5T/BWS#5T)	F11	LED2	4

EP4CE15F23C7

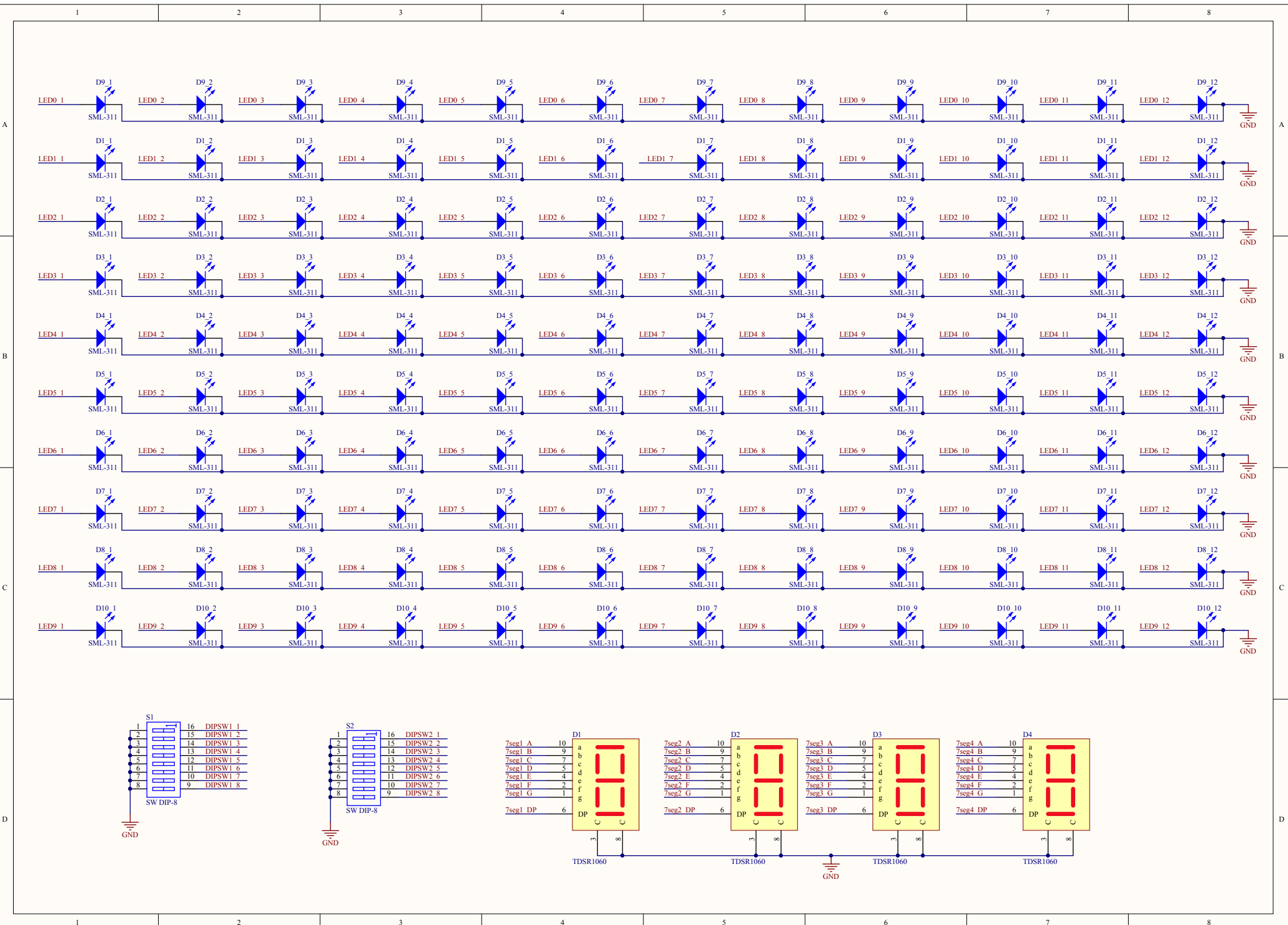
UIA		BANK 1	
IO, DIFFIO_L1p, (DQ2L)(DQ1L)(DQ1L)	H5	PMOD1	4
IO, DIFFIO_L1n, (DQ2L)(DQ1L)(DQ1L)	H2	PMOD1	10
IO, DIFFIO_L1n, (DQ2L)(DQ1L)(DQ1L)	H5	PMOD2	1
IO, DIFFIO_L2p, (nRESET), (DQ2L)(DQ1L)(DQ1L)	H4	PMOD1	8
IO, DIFFIO_L2n, (DQ2L)(DQ1L)(DQ1L)	H3	PMOD1	2
IO, DIFFIO_L3p, (DQ52L/CQ3L,CDPCLK0)(DQ52L/CQ3L,CDPCLK0)	H2	PMOD1	3
IO, DIFFIO_L3n, (DQ2L)(DQ1L)(DQ1L)	H1	PMOD1	9
IO, DIFFIO_L4p, (DQ2L)(DQ1L)(DQ1L)	H2	ASDO	
IO, DIFFIO_L4n, (DATA1,ASDO)	H7	ADC_CNVS1#	
IO, VREFB1N0	H4	ADC_SCLK	
IO, DIFFIO_L5n, (DQ2L)(DQ1L)(DQ1L)	H6	ADC_Din	
IO, DIFFIO_L6p, (FLASH_nCE,nCS0)	H2	nCS0	
IO, DIFFIO_L6n, (DQ1L)(DQ1L)	H1	PMOD1	1
IO, DIFFIO_L7p, (DM2L)(DM1L/BWS#1L)(DM1L/BWS#1L)	H1	PMOD1	7
IO, DIFFIO_L7n, (DQ0L)(DQ1L)(DQ1L)	H4	PMOD2	2
IO, DIFFIO_L8n	H3	PMOD2	3
IO, DIFFIO_L9p	H8	ADC_Dout	
IO, DIFFIO_L9n	H8	ADC_CS#	
IO, DIFFIO_L10p	H7	ADC_EOC#	
IO, DIFFIO_L10n	H4	PMOD2	4
IO, DIFFIO_L11p, (DQ0L)(DQ1L)(DQ1L)	H2	PMOD2	7
IO, DIFFIO_L11n, (DQ0L)(DQ1L)(DQ1L)	H1	PMOD2	8
IO, VREFB1N1	H4	PMOD2	9
IO, DIFFIO_L12p, (DQ0L)(DQ1L)(DQ1L)	H1	PMOD2	10
IO, DIFFIO_L12n, (DQ0L)(DQ1L)(DQ1L)	H1	PMOD2	10
IO, (DATA0)	H1	Data0	

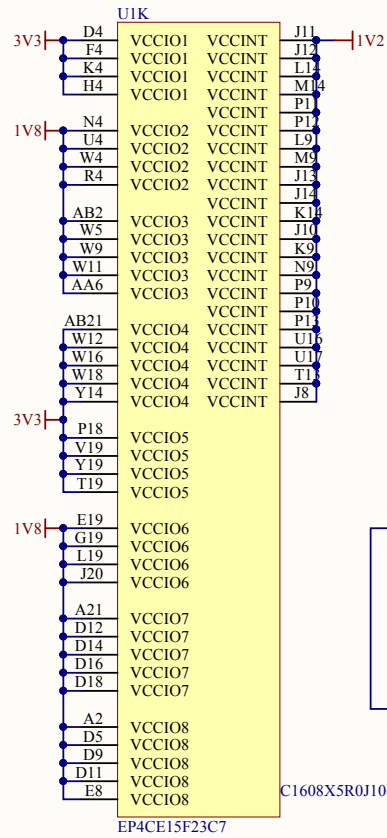
EP4CE15F23C7



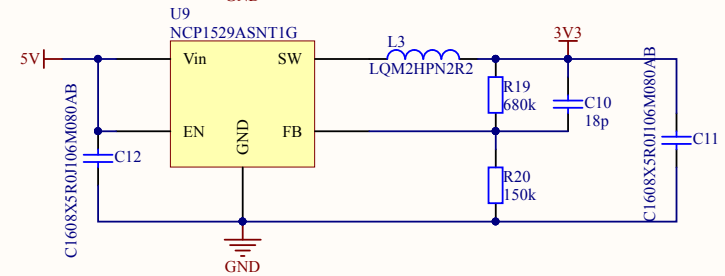
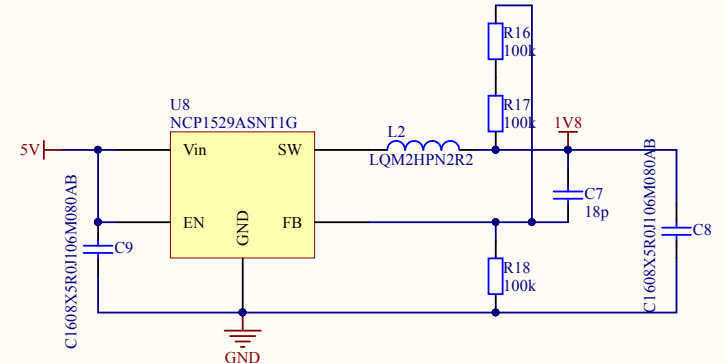
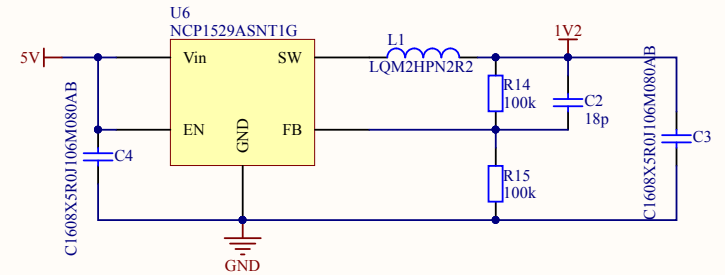
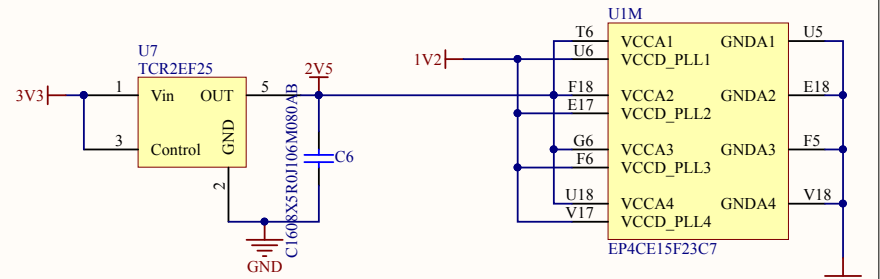
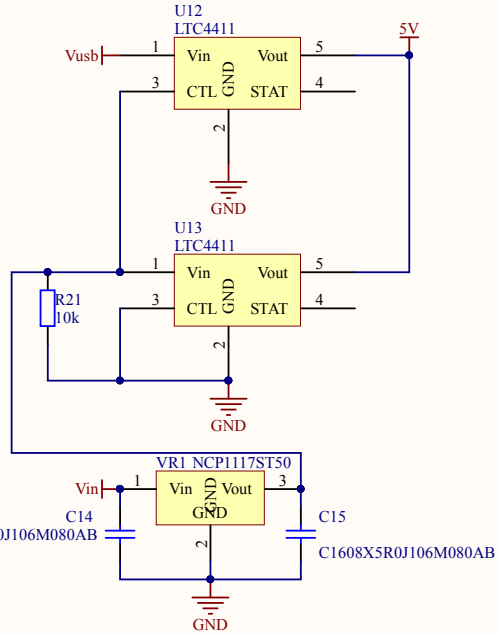
UIF		BANK 6	
IO, DIFFIO_R18n	H16	LED0	11
IO, DIFFIO_R18p	H22	LED8	12
IO, DIFFIO_R17n, (INIT_DONE)	H21	LED5	12
IO, DIFFIO_R17p, (CRC_ERROR)	H15	LED0	10
IO, VREFB6N1	H19	LED0	9
IO, DIFFIO_R16n, (nCEO)	H15	LED4	12
IO, DIFFIO_R16p, (CLKUSR)	H21	LED1	11
IO, DIFFIO_R15p, (DM0R)(DM1R/BWS#1R)(DM1R/BWS#1R)	H21	LED2	10
IO, DIFFIO_R14n	H16	LED2	10
IO, DIFFIO_R14p	H16	LED0	3
IO, DIFFIO_R13n, (DQ0R)(DQ1R)(DQ1R)	H22	LED9	11
IO, DIFFIO_R13p, (DQ0R)(DQ1R)(DQ1R)	H17	LED0	5
IO, DIFFIO_R12n	H18	LED0	7
IO, DIFFIO_R12p, (DQ0R)(DQ1R)(DQ1R)	H18	LED0	6
IO, DIFFIO_R11n, (DQ0R)(DQ1R)(DQ1R)	H22	LED7	11
IO, DIFFIO_R11p, (DQ0R)(DQ1R)(DQ1R)	H21	LED8	11
IO, DIFFIO_R10n, (DQ0R)(DQ1R)(DQ1R)	H20	LED9	12
IO, DIFFIO_R10p, (DQ0R)(DQ1R)(DQ1R)	H19	LED3	10
IO, DIFFIO_R9n, (nWE), (DQ0R)(DQ1R)(DQ1R)	H22	LED5	10
IO, DIFFIO_R9p, (nOE), (DQ1R)(DQ1R)	H21	LED9	10
IO, VREFB6N0	H18	LED0	4
IO, DIFFIO_R8n	H16	LED3	9
IO, DIFFIO_R8p	H22	LED8	10
IO, DIFFIO_R7n, (DM1R/BWS#1R)(DM1R/BWS#1R)	H21	LED7	10
IO, DIFFIO_R6n, (nAVD), (DQ2R)(DQ1R)(DQ1R)	H20	LED6	11
IO, DIFFIO_R6p, (DQ2R)(DQ1R)(DQ1R)	H19	LED0	8
IO, DIFFIO_R5n, (PADD23), (DQ2R)(DQ1R)(DQ1R)	H18	7seg4 B	
IO, DIFFIO_R5p	H17	LED4	10
IO, DIFFIO_R4n, (DQ2R)(DQ1R)(DQ1R)	H21	LED7	9
IO, DIFFIO_R4p, (DQ2R)(DQ1R)(DQ1R)	H22	LED5	9
IO, DIFFIO_R3n, (PADD22), (DQ2R)(DQ1R)(DQ1R)	H21	LED8	9
IO, DIFFIO_R3p, (PADD21), (DQ2R)(DQ1R)(DQ1R)	H20	LED9	8
IO, DIFFIO_R2n, (PADD20), (DQ52R/CQ3R,CDPCLK5)(DQ52R/CQ3R,CDPCLK5)	H20	LED6	10
IO, DIFFIO_R2p	H17	LED2	12
IO, DIFFIO_R1n, (DQ2R)(DQ1R)(DQ1R)	H17	LED2	9

EP4CE15F23C7





Logo1
HuCE Logo



Bill of Materials

<Parameter Title not found>

Source Data From: gecko4_education.PrjPcb
 Project: gecko4_education.PrjPcb
 Variant: None

Creation Date: 7/23/2015 7:02:03 AM
 Print Date: 42208 42208.29317

#Column Nam	Comment	#Column Name E	Designator	#Column Name Error:Description	Quantity
	C1608X5R0J106		C1, C3, C4, C6, C8, C9, C11, C12, C13,		12
	M080AB		C14, C15, C16		
	18p		C2, C7, C10		3
	100n		C5		1
	TDSR1060		D1, D2, D3, D4		4
	SML-311		D1_1, D1_2, D1_3, D1_4, D1_5, D1_6,		120
			D1_7, D1_8, D1_9, D1_10, D1_11, D1_12,		
			D2_1, D2_2, D2_3, D2_4, D2_5, D2_6,		
			D2_7, D2_8, D2_9, D2_10, D2_11, D2_12,		
			D3_1, D3_2, D3_3, D3_4, D3_5, D3_6,		
			D3_7, D3_8, D3_9, D3_10, D3_11, D3_12,		
			D4_1, D4_2, D4_3, D4_4, D4_5,		
	Fiducials		Fid1, Fid2		2
	USB_Socket		J1		1
	Header 8		J2, J3, J4, J6, J7, POD3		6
	Header 18X2		J5		1
	Header 10		J8		1
	Inductor		L1, L2, L3		3
	-		Logo1		1
	Header 6X2A		PMOD1, PMOD2		2
	10k		R1, R2, R3, R4, R6, R7, R8, R9, R10,		13
			R11, R12, R13, R21		
	0E		R5		1
	100k		R14, R15, R16, R17, R18		5
	680k		R19		1
	150k		R20		1
	SW DIP-8		S1, S2		2
	PUSHB		SW1, SW2, SW3, SW4, SW5, SW6,		7
			SW7		
	EP4CE15F23C7		U1		1
	PIC18F14K50		U2		1
	EPCS16S18N		U3		1
	MT48H8M16LF		U4		1
	B4-6				
	S25FL164K		U5		1
	NCP1529ASNT1		U6, U8, U9		3
	G				
	TCR2EF25		U7		1
	MAX11340ATJ+		U10		1
	LTC2632CTS8-		U11		1
	LZ10				
	LTC4411		U12, U13		2
	NCP1117ST50		VR1		1
	F335-12		X1		1
	SIT9201AC-S3-		X2		1
	18E-50.000				
					203

Approved	Notes