

Gecko3 Bus1 - byte 8  
X10

Transition between the external world and the communication function block on the basic power PCB

**HuCE** microLab

Title: **GECKO RS232 communication - geckoXsimple**

Size: A4 L Author: A. Habegger

Date: 15.12.2011 Time: 11:29:25

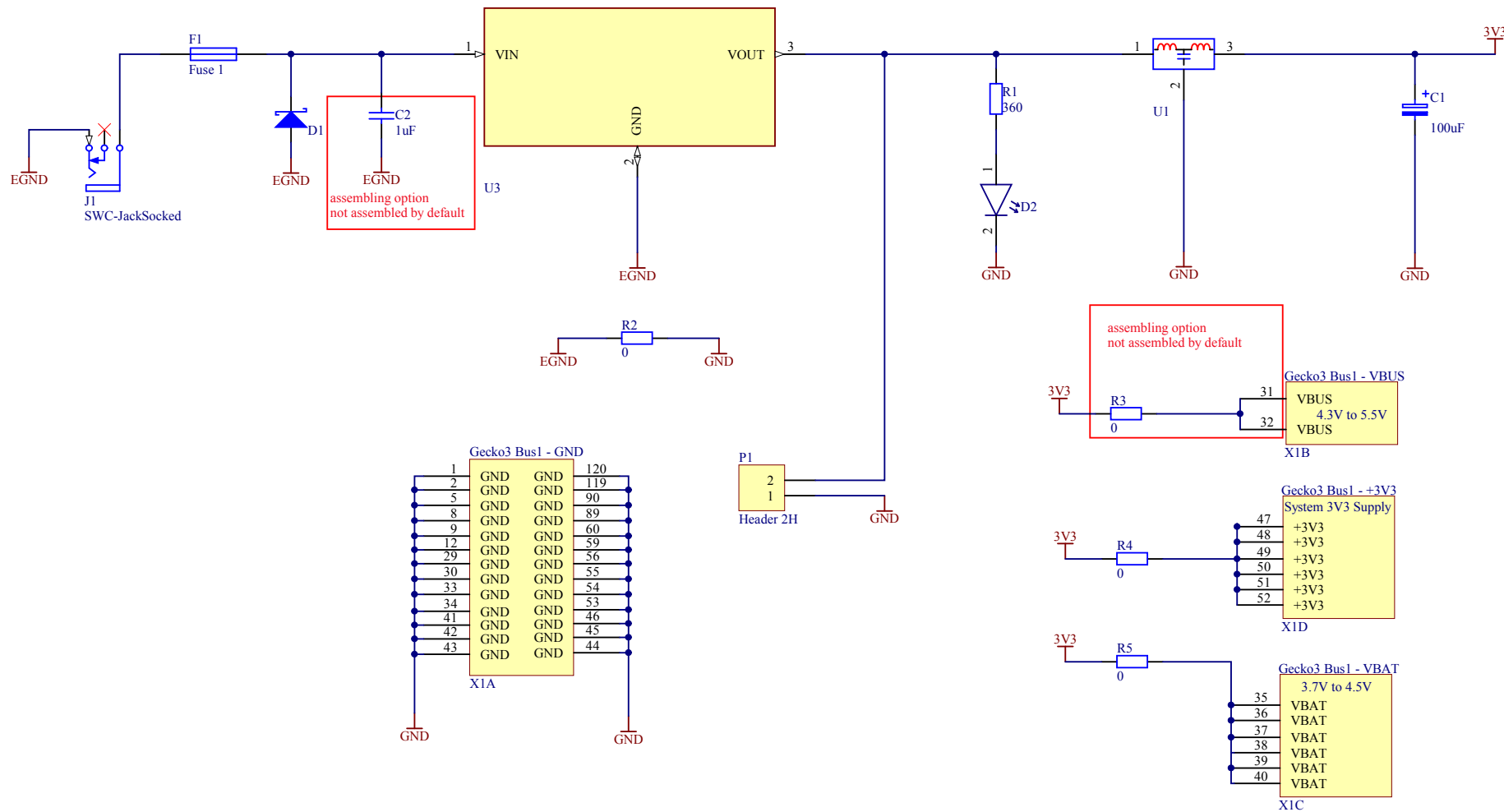
File: RS232\_5w.SchDoc

Doc. Nr.: 1.0

Sheet 1 of 2

BFH-TI, Biel HuCE-microLab

Quellgasse 21  
CH-2501 Biel/Bienne  
Switzerland



Title: <b>GECKO Powering - geckoXsimple</b>		<b>BFH-TI, Biel HuCE-microLab</b>	
Size: <b>A4 L</b>	Author: <b>A. Habegger</b>	Doc. Nr. : <b>1.0</b>	
Date: <b>15.12.2011</b>	Time: <b>11:29:25</b>	Sheet <b>2</b> of <b>2</b>	
File: <b>board_powering.SchDoc</b>		<i>Quellgasse 21 CH-2501 Biel/Bienne Switzerland</i>	