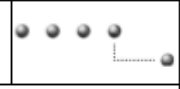
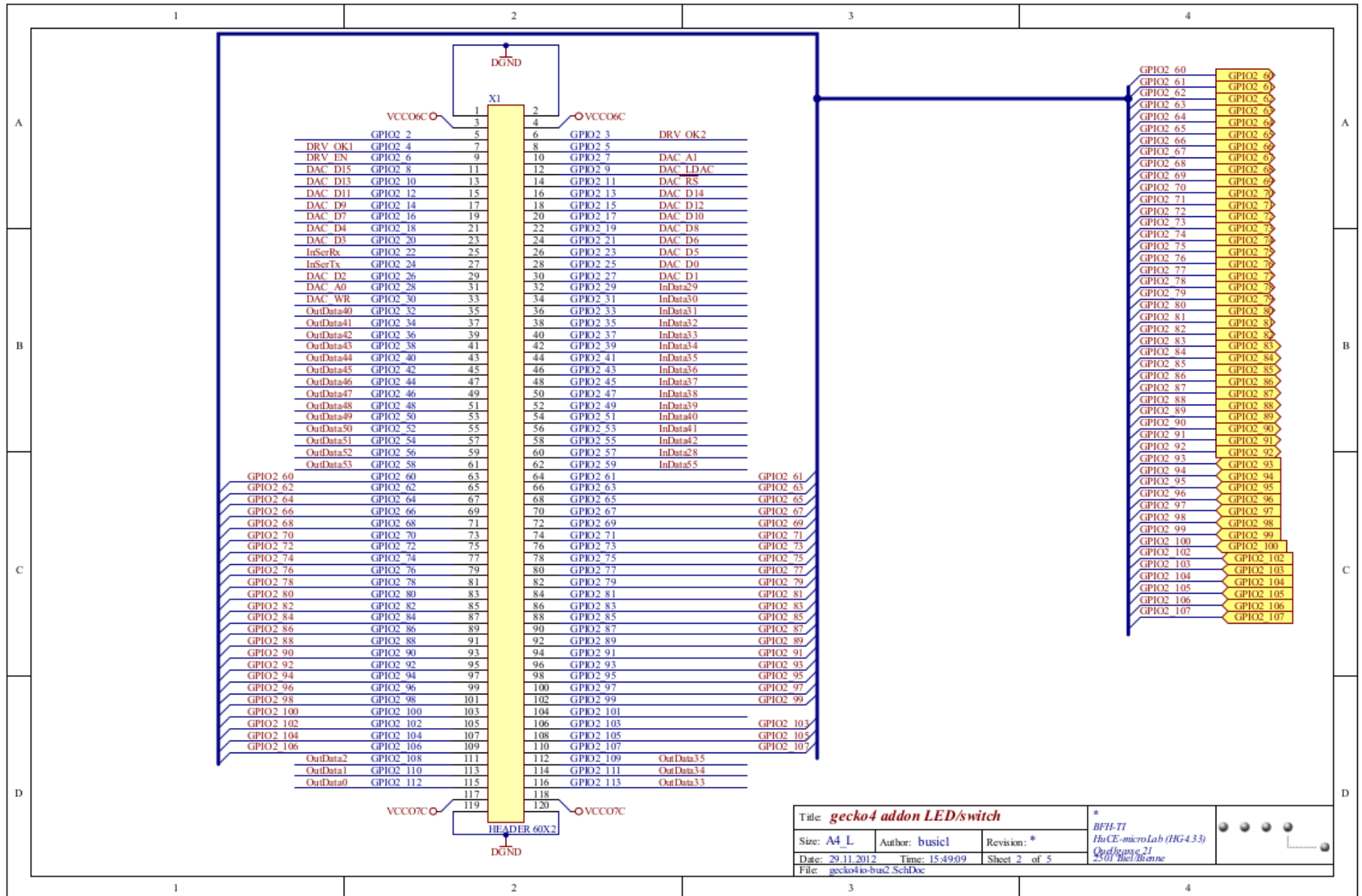


Title: **gecko4 addon LED/switch**

Size: A4_L Author: basic1 Revision: *
 Date: 29.11.2012 Time: 15:49:09 Sheet 1 of 5
 File: gecko4to-bus1.SchDoc

* BFF-TI
 HuCE-micro Lab (HG4.33)
 Quersasse 21
 2501 Bubl-Bronne





Title: **gecko4 addon LED/switch**

Size: A4 L

Author: busic1

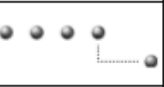
Revision: *

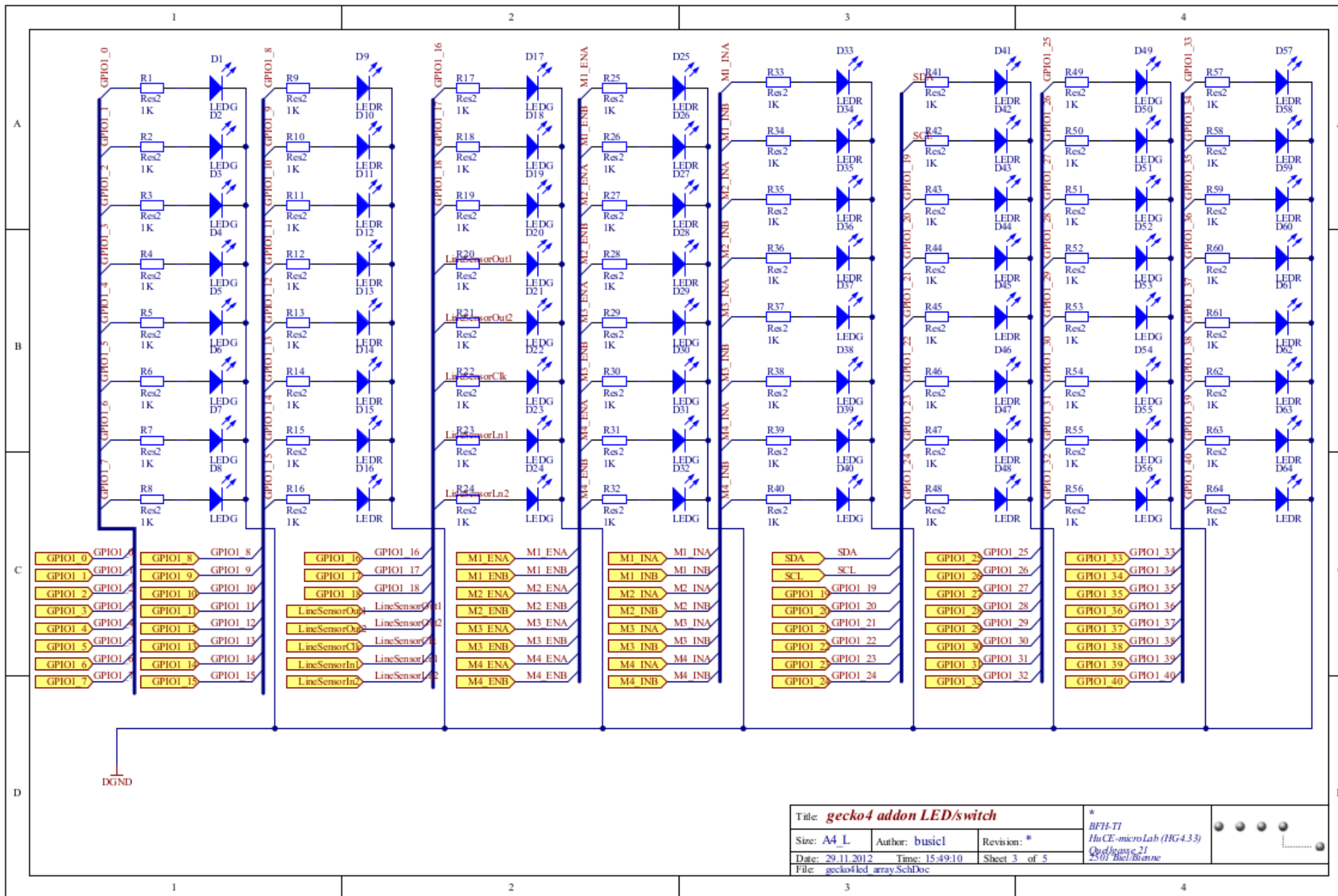
Date: 29.11.2012 Time: 15:49:09

Sheet 2 of 5

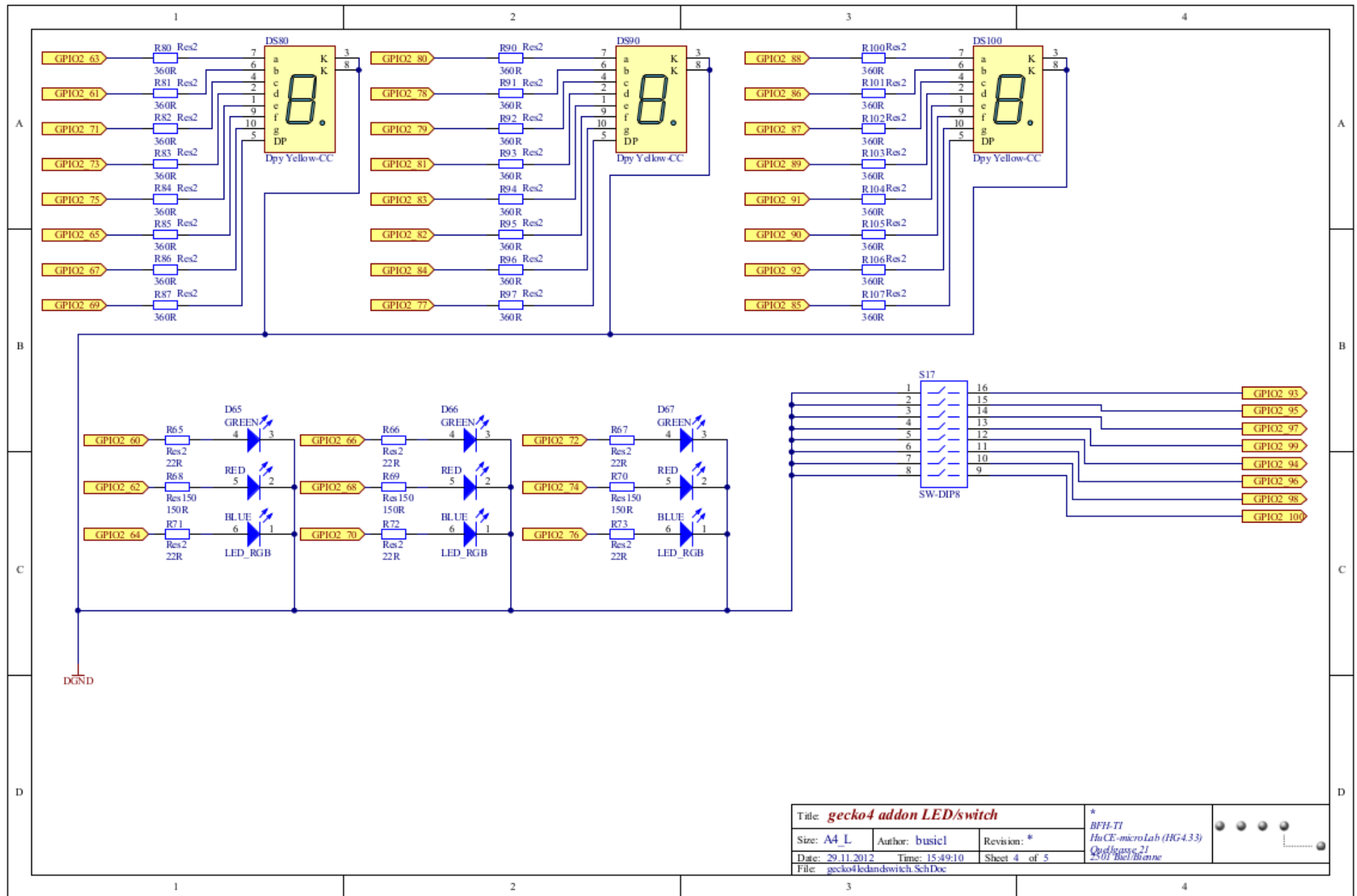
File: gecko4io-bus2.SchDoc

*
BFH-T1
Ihu CE-microLab (HG4.33)
Qualifgasse 21
2501 Bielefeld



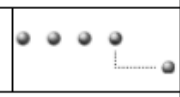


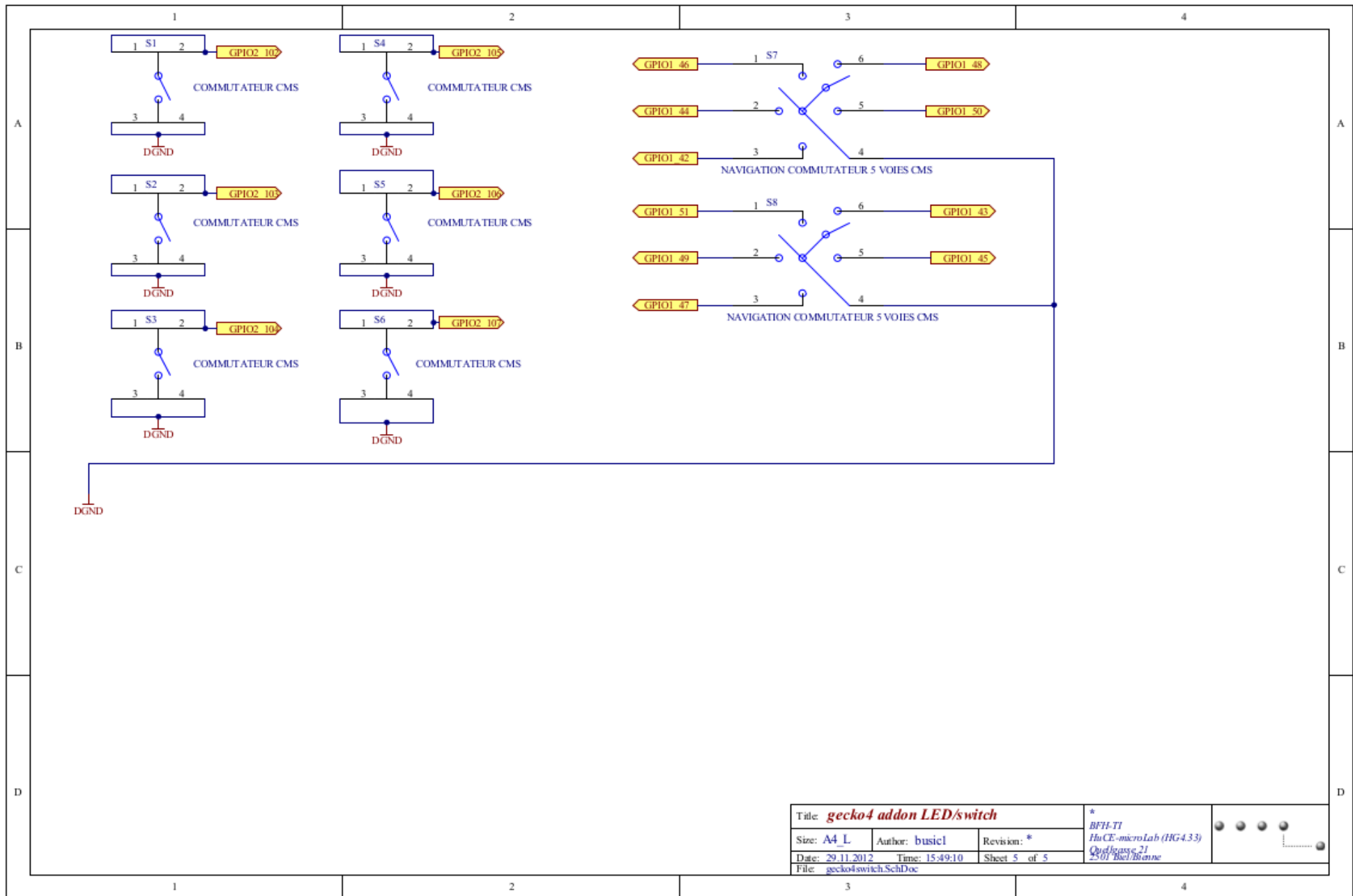
Title: gecko4 addon LED/switch			* BFH-TI HuCE-microLab (HG4.3.3) Quédigasse 21 2501 Biel/Bienne
Size: A4_L	Author: basic1	Revision: *	
Date: 29.11.2012	Time: 15:49:10	Sheet 3 of 5	
File: gecko4led_array.SchDoc			



Title: gecko4 addon LED/switch		
Size: A4_L	Author: basic1	Revision: *
Date: 29.11.2012	Time: 15:49:10	Sheet 4 of 5
File: gecko4ledandswitch.SchDoc		

*
BFI-TI
HuCE-microLab (HG4.33)
Quadrass 21
2501 Biel/Bienne





Title: gecko4 addon LED/switch			* BFL/TL Hi CE-microLab (HG4.33) Quai Gassie, 21 2501 Brest Bretagne
Size: A4 L	Author: basic1	Revision: *	
Date: 29.11.2012	Time: 15:49:10	Sheet 5 of 5	
File: gecko4switch.SchDoc			

