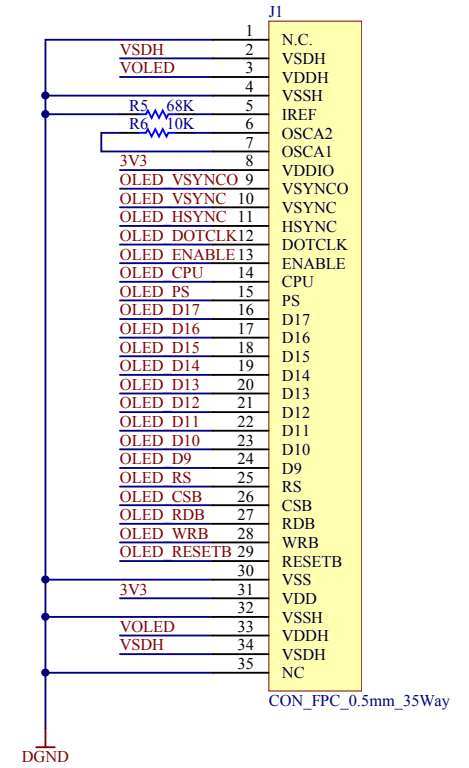
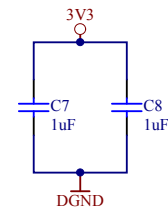
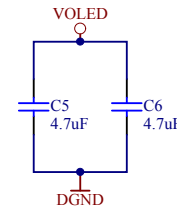
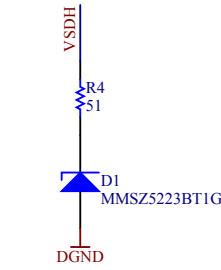
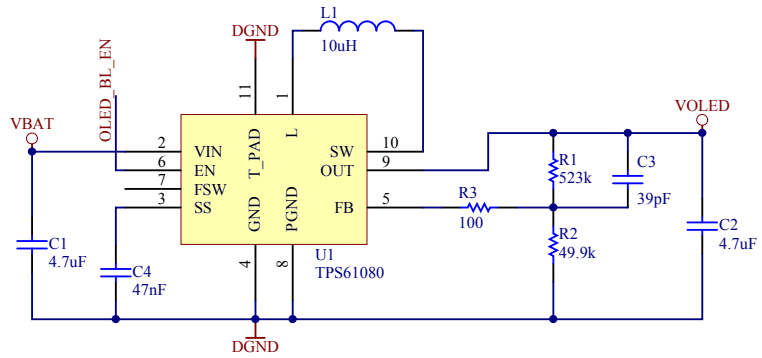


Title: GECKO4biomed - System Bus			BFH-TI, Biel Quellgasse 21 CH-2500 Biel/Bienne Switzerland
Size: A4_L	Author: F. Nenniger	Revision: #	
Date: 31.10.2011	Time: 12:16:33	Sheet 1 of 5	
File: system bus 1 1.SchDoc			

OLED
DD-160128FC-2A



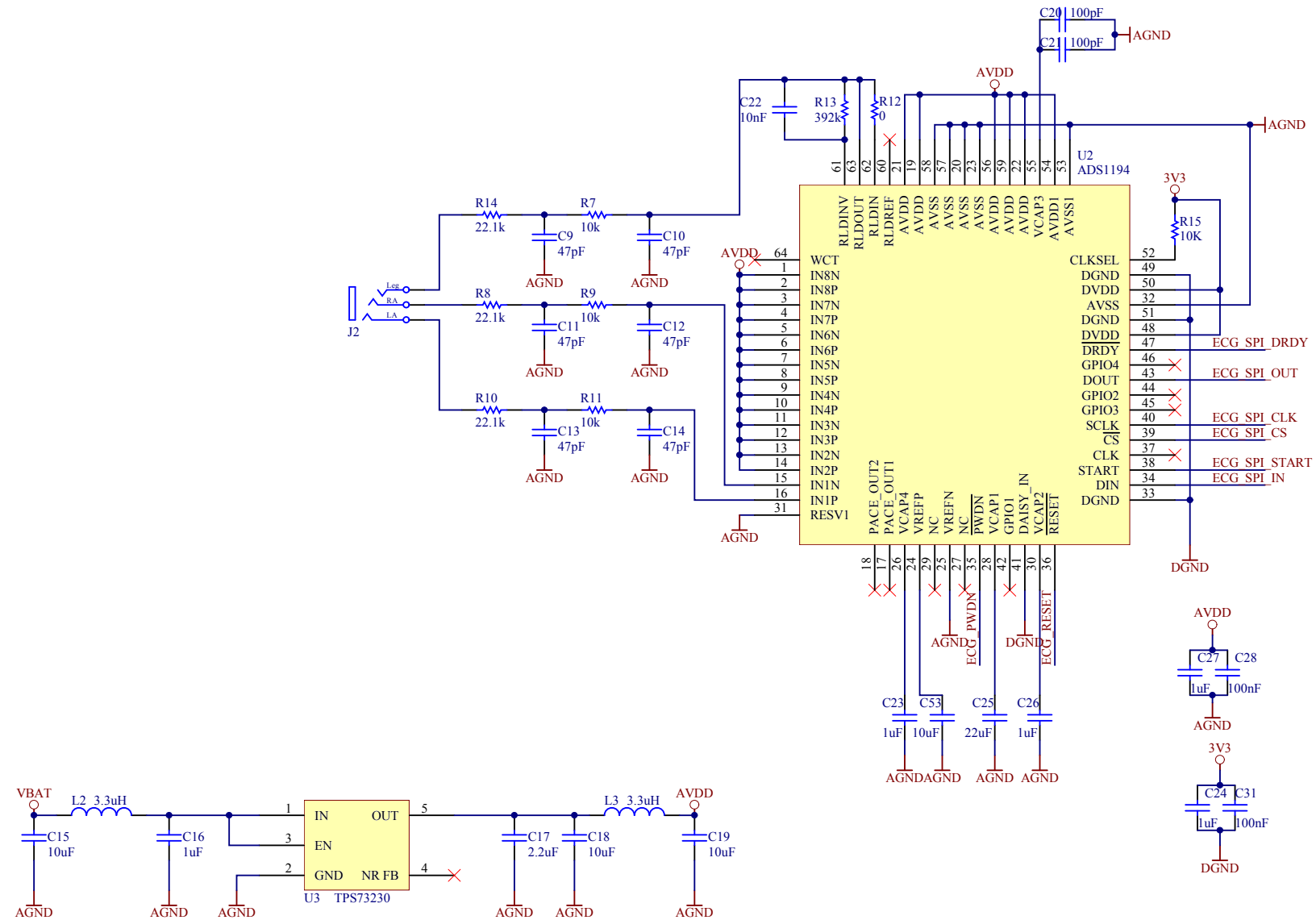
Title: GECKO4biomed - OLED			BFH-TI, Biel Quellgasse 21 CH-2500 Biel/Bienne Switzerland
Size: A4_L	Author: F. Nenniger	Revision: #	
Date: 31.10.2011	Time: 12:16:33	Sheet 2 of 5	
File: oled_1_1.SchDoc			

A

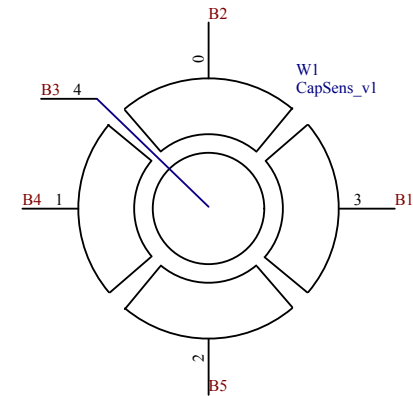
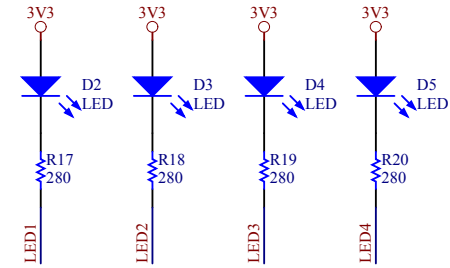
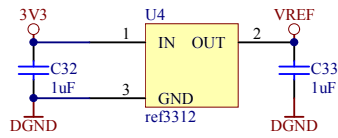
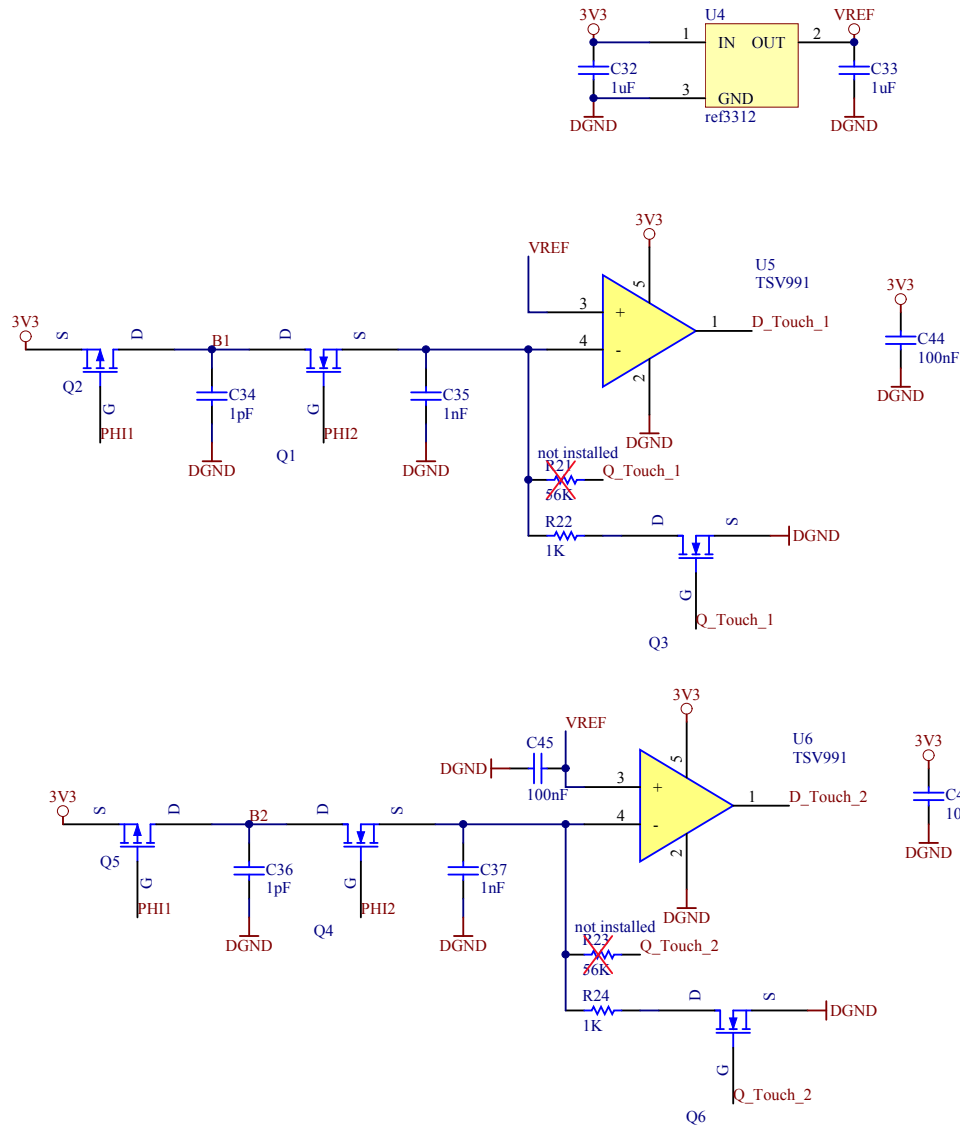
B

C

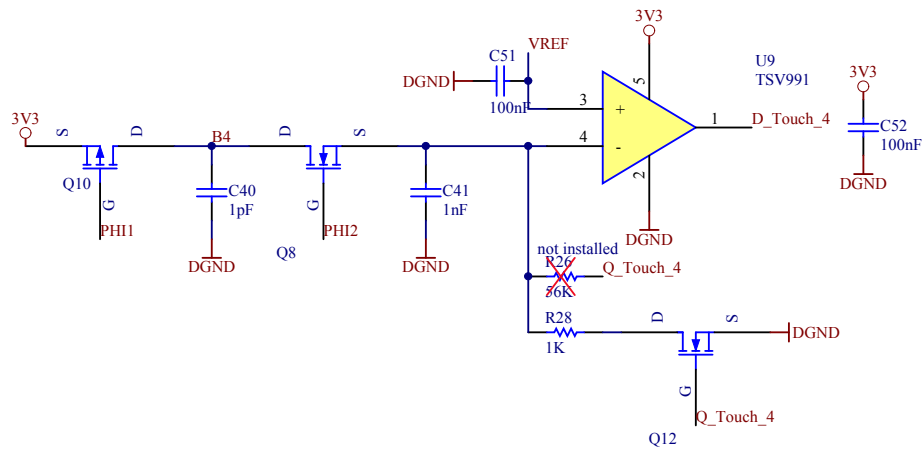
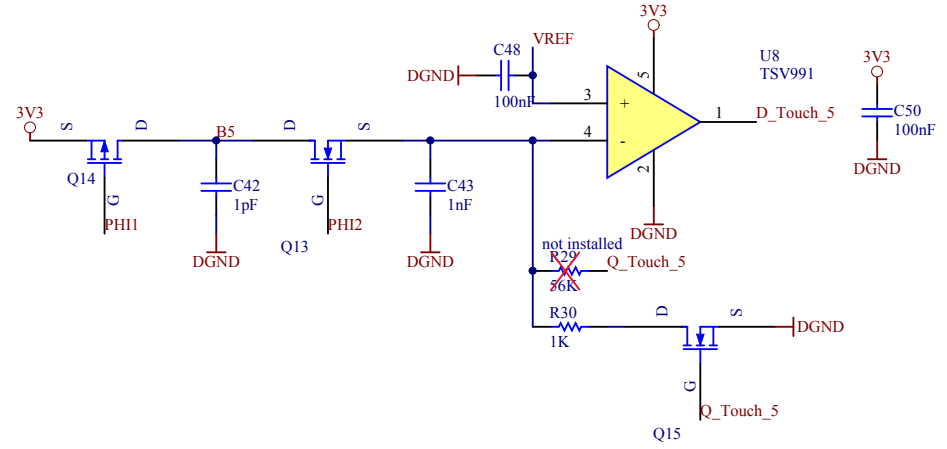
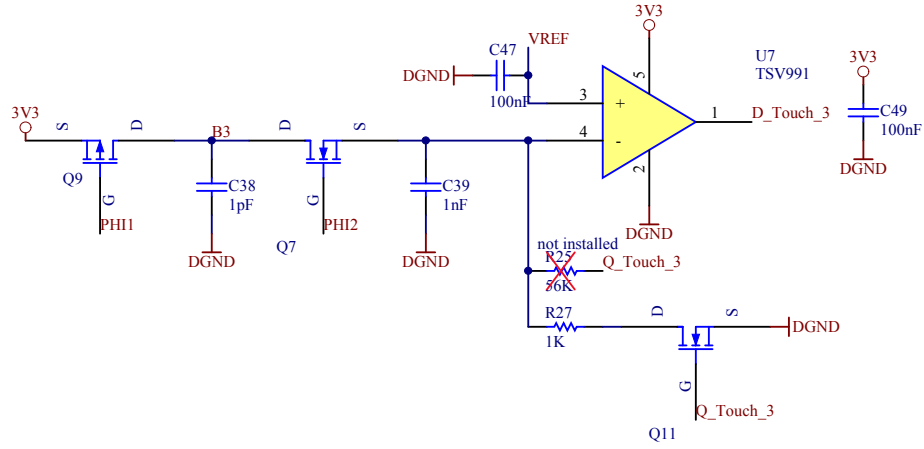
D



Title: GECKO4biomed - ECG			BFH-TI, Biel Quellgasse 21 CH-2500 Biel/Bienne Switzerland
Size: A4_L	Author: F. Nenniger	Revision: #	
Date: 31.10.2011	Time: 12:16:33	Sheet 3 of 5	
File: eeg_1_1.SchDoc			



Title: GECKO4biomed - Touch Part A		BFH-TI, Biel Quellgasse 21 CH-2500 Biel/Bienne Switzerland	
Size: A4_L	Author: P. Kesselring	Revision: #	
Date: 31.10.2011	Time: 12:16:33	Sheet 4 of 5	
File: touch a 1 1.SchDoc			



Title: GECKO4biomed - Touch Part B		BFH-TI, Biel	
Size: A4_L	Author: P. Kesselring	Revision: #	Quellgasse 21
Date: 31.10.2011	Time: 12:16:34	Sheet 5 of 5	CH-2500 Biel/Bienne
File: touch b 1 1.SchDoc		Switzerland	



Comment	Description	Designator	Footprint	LibRef	Quantity
C	Capacitor	C1, C2, C5, C6	SMD_1206_3216	C	4
		C3, C4, C7, C8, C9, C10, C11, C12, C13, C14, C16, C17, C20, C21, C22, C23, C24, C26, C27, C28, C29, C30, C31, C32, C33, C34, C35, C36, C37, C38, C39, C40, C41, C42, C43, C44, C45, C46, C47, C48, C49			
C	Capacitor	C50, C51, C52	SMD_0603_1608	C	44
C	Capacitor	C15, C18, C19, C25, C53	SMD_0805_2012	C	5
MMSZ5223BT1G	Zener Diode	D1	SOD123	D Zener	1
LED		D2, D3, D4, D5	LED_RMNT	LED	4
CON_FPC_0.5mm_5Way	FPC CON	J1	OLED	CON_FPC_0.5mm_5Way	1
3.5mm Jack	Jack Socket, 1/4" [6.5mm], Thru-Hole, Vertical, 3-Conductor Open Circuit (Non-Normalling)	J2	3-5JACK	3.5mm Jack	1
LQH43CN100K03L	Inductor	L1	SMD_1812_4532	Inductor	1
Inductor	Inductor	L2, L3	SMD_0805_2012	Inductor	2
MOSFET-N	N-Channel MOSFET	Q1, Q3, Q4, Q6, Q7, Q8, Q11, Q12, Q13, Q15	SOT23-3	MOSFET-N	10
MOSFET-P	P-Channel MOSFET	Q2, Q5, Q9, Q10, Q14	SOT23-3	MOSFET-P	5
R	Resistor	R1, R2, R3, R4, R5, R6, R7, R8, R9, R10, R11, R12, R13, R14, R15, R16, R17, R18, R19, R20, R21, R22, R23, R24, R25, R26, R27, R28, R29, R30	SMD_0603_1608	R	30
TPS61080	OLED Driver	U1	TPS61080	TPS61080	1
ADS1194		U2	TSQFP-64	ADS119X	1
TPS73230		U3	SOT23	TPS73230	1
ref3312		U4	SOT23-3	ref3312	1
TSV991		U5, U6, U7, U8, U9	SOT23	TSV991	5
System Bus 1		X1	T_120_PLUG	HEADER 60X2	1